



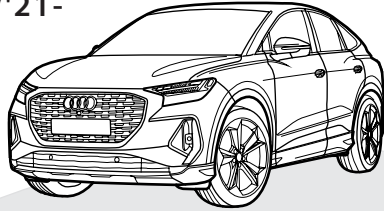
TREKHAKEN • ATTELAGES • ANHÄNGERVORRICHTUNGEN • TOWBARS • ENHANCES • ANHÆNGERTRÆK

Montagehandleiding | instructions de montage | Einbauanleitung | Mounting instruction  
Instrucciones de montaje | monteringsvejledning



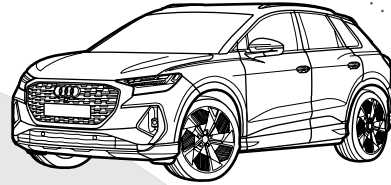
## Audi Q4 e-tron Sportback (F4N)

06/'21-



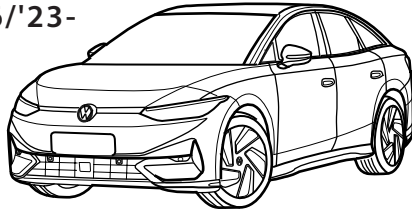
## Audi Q4 e-tron (F4B)

03/'21-



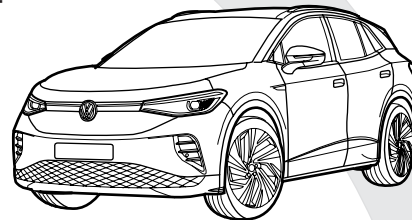
## Volkswagen ID.7 (ED2)

06/'23-



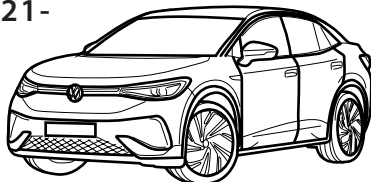
## Volkswagen ID.4 (E21)

05/'20-



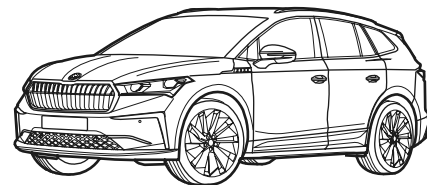
## Volkswagen ID.5 (E39)

07/'21-



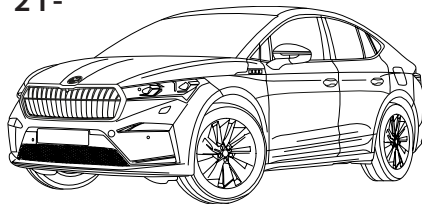
## Skoda Enyaq SUV (5AZ)

10/'20-



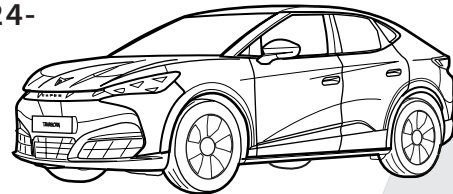
## Skoda Enyaq Coupé (5AC)

07/'21-



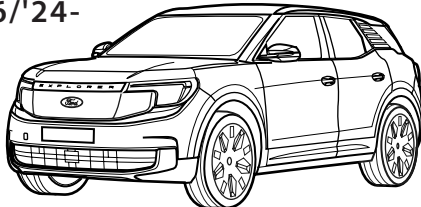
## Cupra Tavascan (KR1)

03/'24-



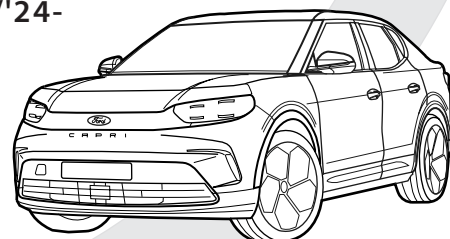
## Ford Explorer (CX740)

06/'24-



## Ford Capri (CX740L)

10/'24-



SCAN FOR THE  
LATEST VERSION



Gdw nv, Hoogmolenwegel 23 | B | 8790 Waregem | T +32 (0)56 60 42 12 | F +32 (0)56 60 01 93 | [gdw@gdwtowbars.com](mailto:gdw@gdwtowbars.com) | [www.gdwtowbars.com](http://www.gdwtowbars.com)

REVISIENUMMER 000 | N° REVISION 000 | 12•02•2025

2865T60

## NL Belangrijke raadgevingen

### Montage

- Voor de montage moet de trekhaak eerst op het voertuig gepresenteerd worden.

De belasting van een aanhangwagen en van een accessoire dat op de koppelingskogel wordt voorzien, zijn anders van aard. Voor beiden kunnen verschillende limieten van toepassing zijn. Hiervoor verwijzen we naar het instructieboekje van de wagen of naar uw concessiehouder.

## FR Recommandations importantes

### Montage

- Présenter l'attelage sous le véhicule avant d'effectuer le montage.

La charge d'une remorque ou d'un accessoire monté sur la boule d'attelage, sont de nature différentes. Des limites différentes peuvent s'appliquer à l'un et à l'autre. Nous vous recommandons de vous référer à votre livret d'instructions ou de vous renseigner chez votre concessionnaire.

## EN General instructions

### Fitting

- Present the towbar under the car first to check if all points are right.

The load of a trailer and of an accessory fitted on the towing ball are of a different nature. Different limits may apply to both. For this matter, we refer to the instruction manual of the vehicle or we advise you to contact your concessionaire.

## DE Allgemeine Hinweise

### Montage

- Halten Sie die Anhängerkupplung zunächst unter das Fahrzeug und prüfen Sie, ob alle Punkte übereinstimmen.

Die Last eines Anhängers und die Last eines an der Zugkugel montierten Zubehörs unterscheiden sich grundsätzlich. Für beide können unterschiedliche Grenzwerte gelten. Wir verweisen diesbezüglich auf die Betriebsanleitung des Fahrzeugs oder empfehlen Ihnen, sich an Ihren Vertragshändler zu wenden.

## ES Instrucciones generales

### Montaje

- Presentar el enganche debajo del vehículo antes de realizar el montaje.

La carga de un remolque y un accesorio montado en una bola de remolque son de una naturaleza diferente. Se pueden aplicar diferentes límites a ambos. Para este asunto, nos referimos al manual de instrucciones del vehículo o le recomendamos que contacte a su distribuidor.

## DK Generelle instruktioner

### Montering

- Præsenter trækstangen under bilen først for at kontrollere, om alle punkter er rigtige.

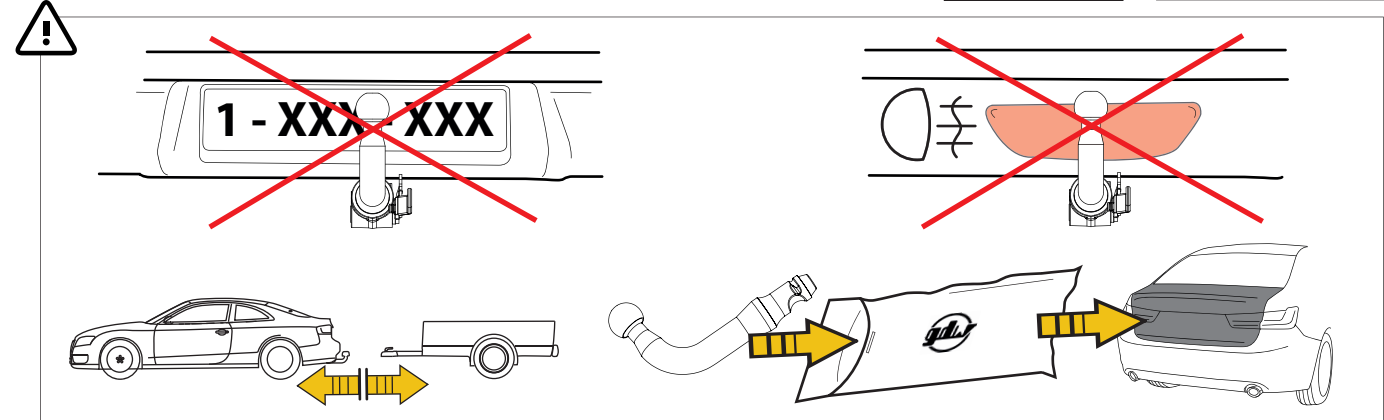
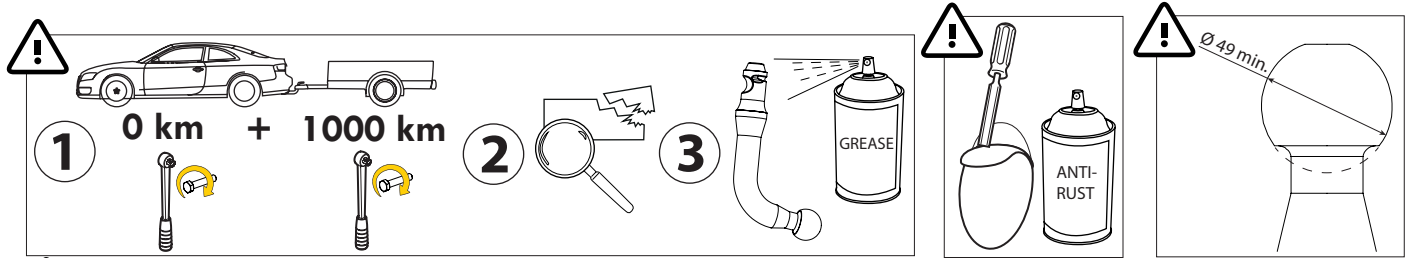
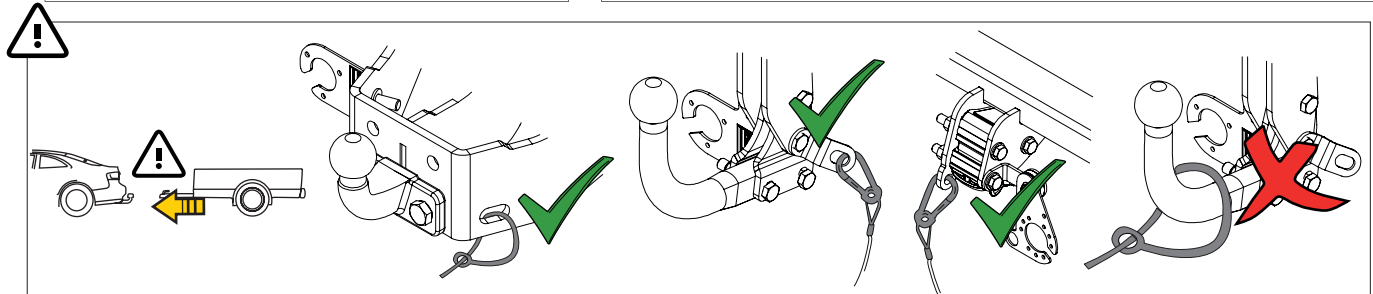
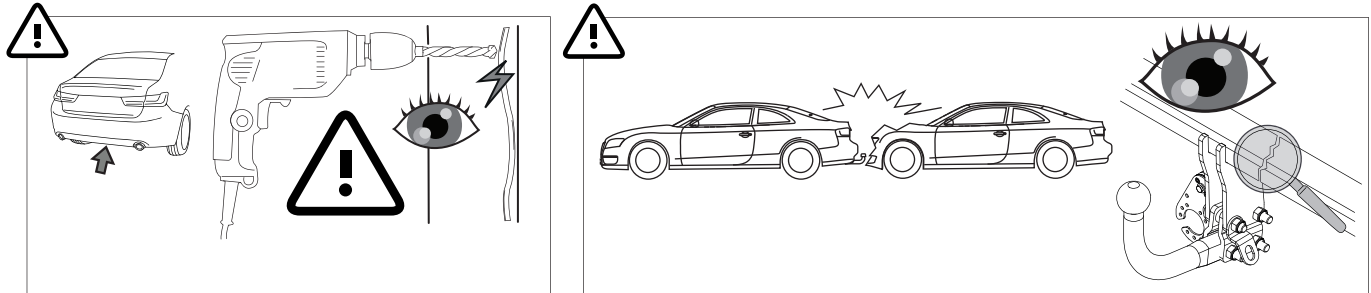
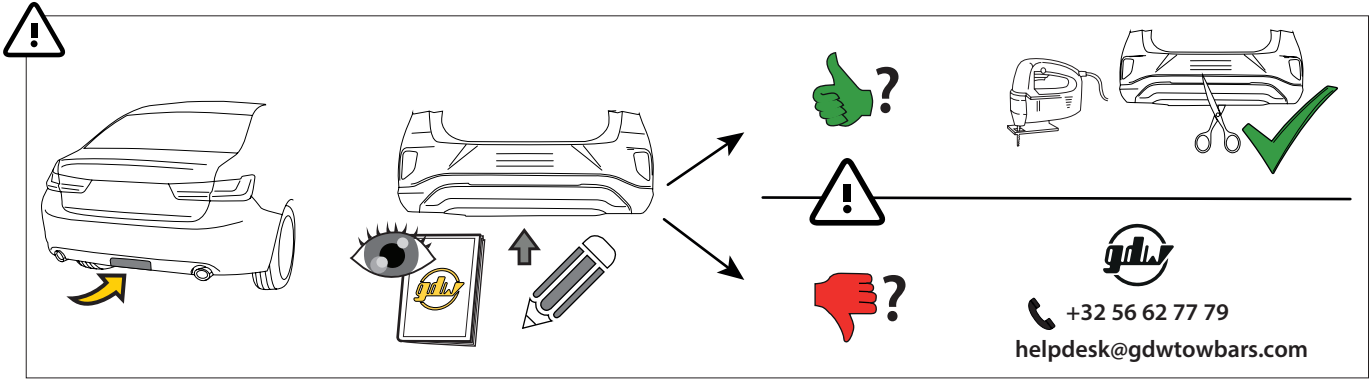
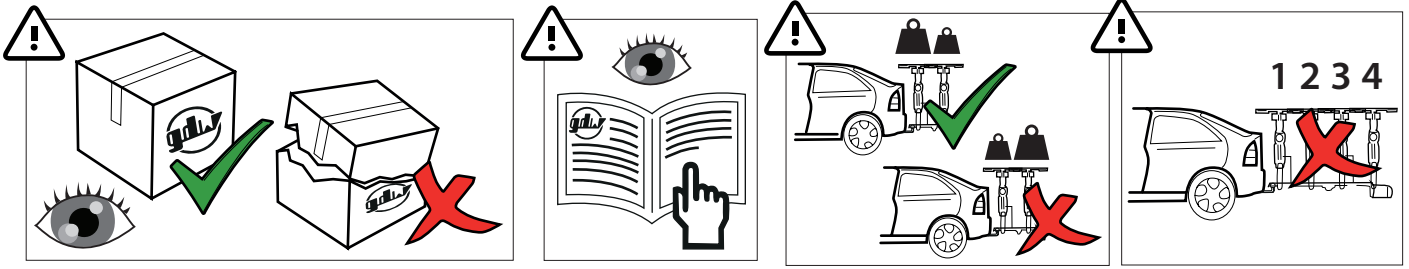
Belastningen af en trailer og af tilbehør tilkoblet anhængertrækket er forskellige. Der kan være forskellige begrænsninger på begge. I disse tilfælde henviser vi til bilens manual, eller anbefaler dig at kontakte bilforhandleren

## IT Consigli importanti

### Montaggio

- In primo luogo, presentare la struttura sotto l'automobile per verificare che tutti i punti di attacco coincidano.

La massa rimorchiabile del veicolo potrebbe essere diversa dal valore riportato sul documento del gancio di traino. Per questo motivo, vi invitiamo a consultare sempre la carta di circolazione del veicolo (Pos. O.1) o a rivolgervi alla vostro concessionario di fiducia



MADE BY



**D 10,75**

**A50-X**

**E6**

BELGIUM

**S 75**

EC-N°

55R-02 1855

REF N°

2865T60

SERIAL N°

XXXX

**DESCRIPTION**

Audi Q4 e-tron (Sportsback), Cupra Tavascan, Ford Capri + Explorer, VW ID.4 + ID.5 + ID.7, Skoda Enyaq SUV + Coupé



$$D = \frac{\text{max kg (car)} \times \text{max kg (trailer)}}{\text{max kg (car)} + \text{max kg (trailer)}} \times 0.00981 \leq 10,75 \text{ kN}$$

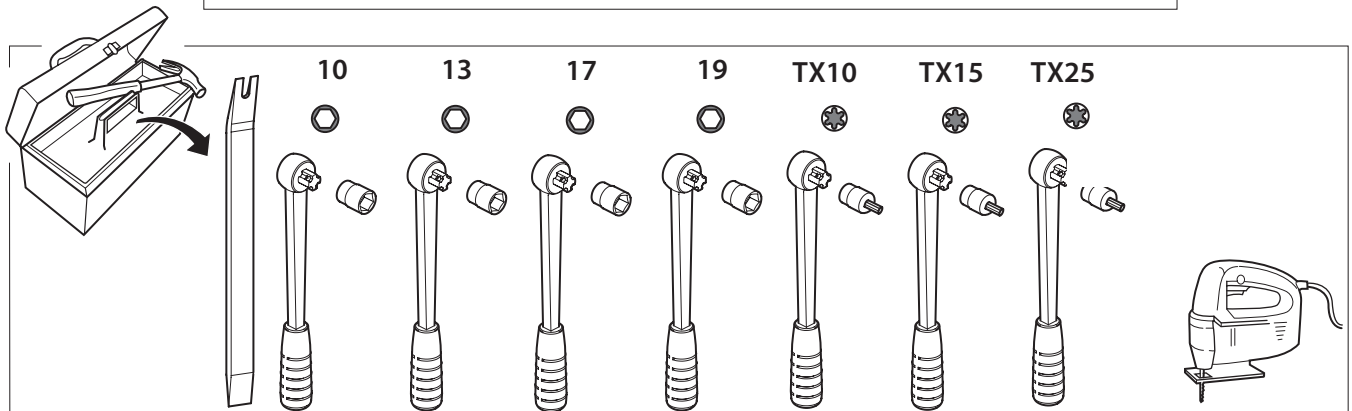
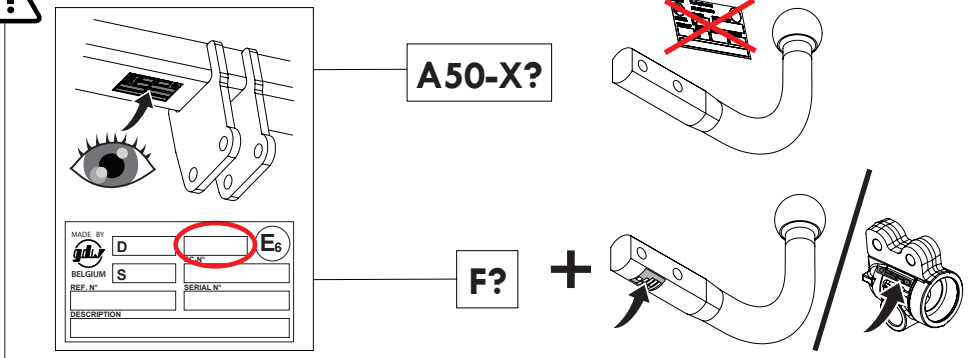
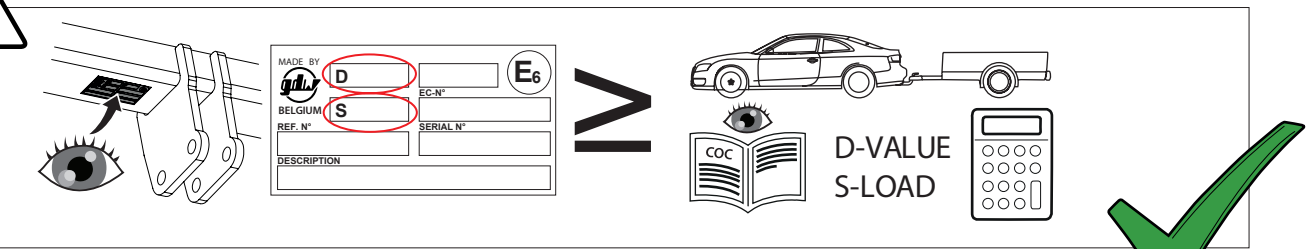
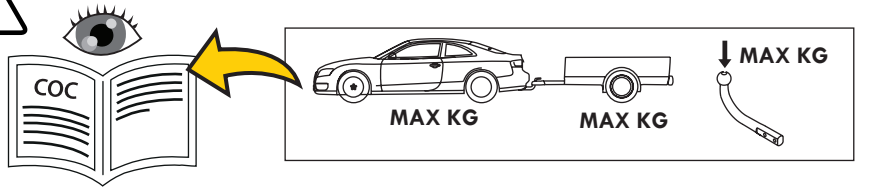
$$S = \begin{matrix} \leq 75 \text{ kg} \\ \leq 1800 \text{ kg} \end{matrix}$$

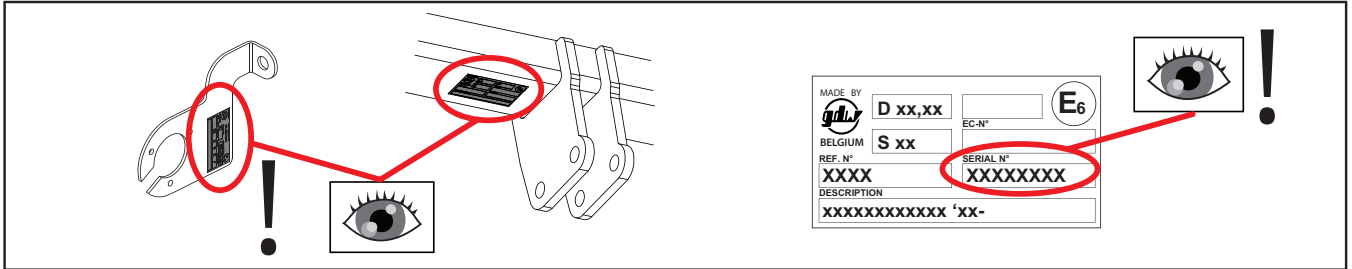


See the Certificate Of Conformity (COC) of your vehicle or contact your dealer to verify the max. trailer weight of your car!



See the user manual of the vehicle for correct use of bicycle carriers!



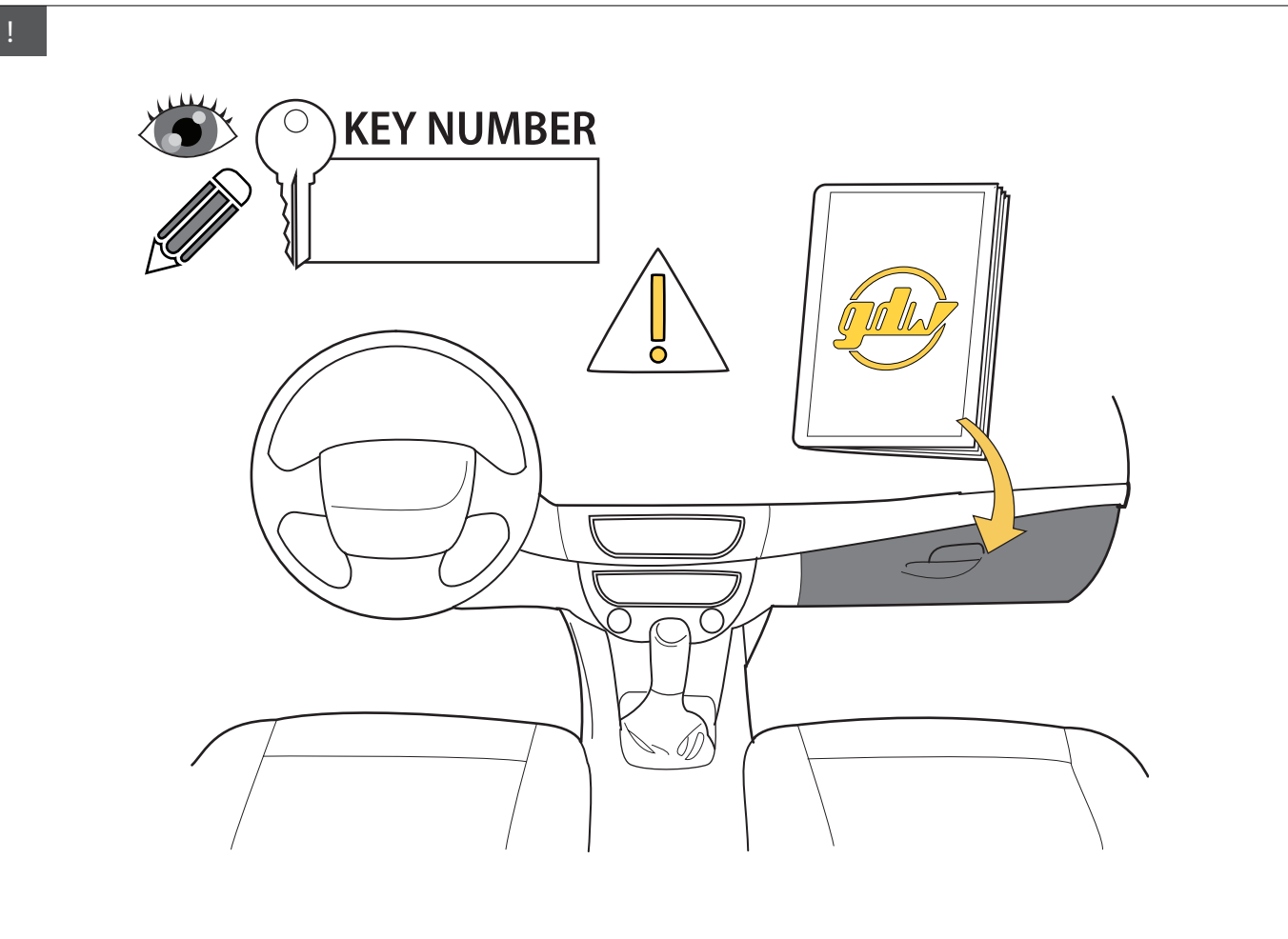


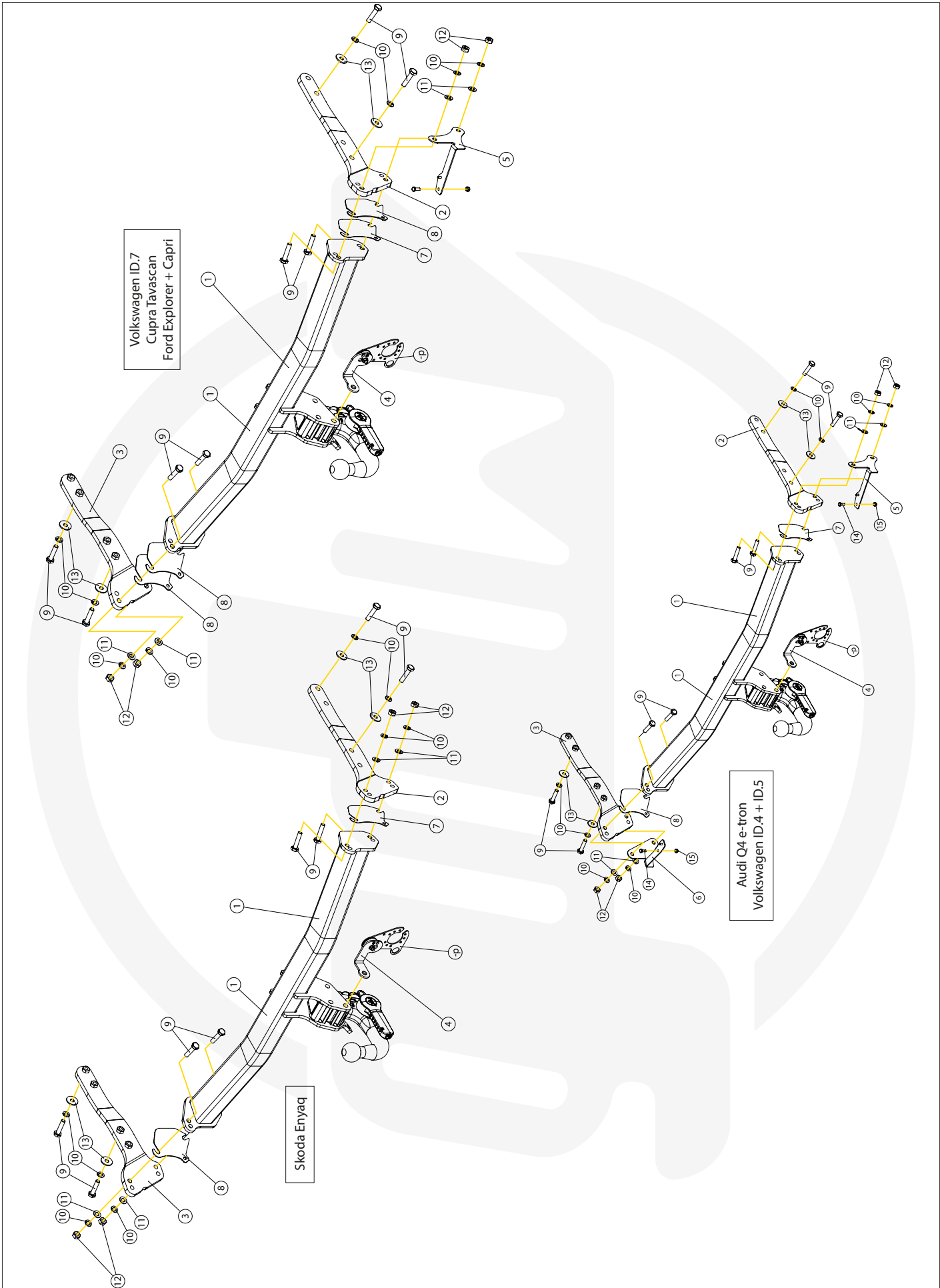


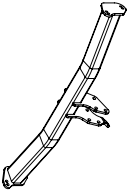
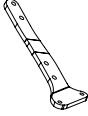

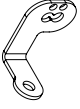

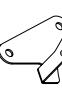











**helpdesk@gdwtowbars.com**

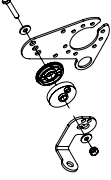

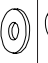


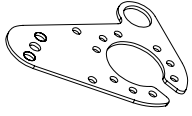

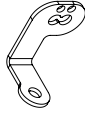
**+32 56 62 77 79**

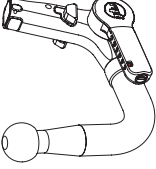

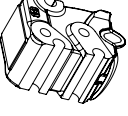


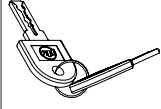

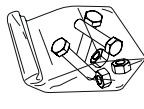


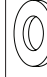
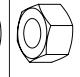
Monday	08:00 - 12:00	12:30 - 16:30
Tuesday	08:00 - 12:00	12:30 - 16:30
Wednesday	08:00 - 12:00	12:30 - 16:30
Thursday	08:00 - 12:00	12:30 - 16:30
Friday	08:00 - 12:00	12:30 - 15:30





1		X1	GDW REF. 2865T60
2		X1	GDW REF. 2
3		X1	GDW REF. 3
4		X1	GDW REF. 2778-050
5		X1	GDW REF. 5 * VOLKSWAGEN ID.4 - ID.5
6		X1	GDW REF. 6 * VOLKSWAGEN ID.4 - ID.5
7		X2	GDW REF. 7
8		X1	GDW REF. 8
9		X8	DIN 933-M10X45-10.9
10		X8	GROWER VSK-M10
11		X4	DIN 125A-10.5X20X2
12		X4	DIN 934-M10-KL10
13		X4	DIN 9021-10.5X30X2.5
14		X1	DIN 933-M12X30
15		X1	DIN 985-M12
16		X2	DIN 933-M6X16
17		X2	DIN 985-M6

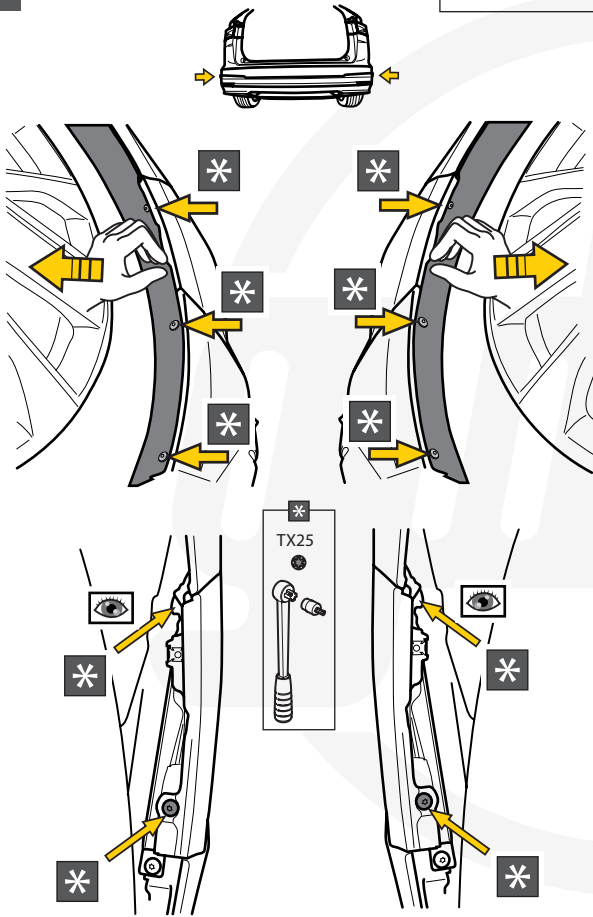
-P		X1	GDW REF. P38
L		X1	DIN985-M6
L		X2	6,2 X 15,4 X 1,6 (NYLON)
L		X1	GDW REF. 718.16.002
L		X1	GDW REF. 718.16.003
L		X1	GDW REF. 908.094
L		X1	DIN933-M6 X 30
L		X1	GDW REF. 2778-050

Geleverd met - Livré avec - Delivered with Gefiefert mit - Elementos adjuntos - Leverages med		X1	GDW REF. 960.V9002
L		X1	GDW REF. 740.200
L		X1	GDW REF. 912.003
L		X1	GDW REF. 740.112
L		X1	GDW REF. 740.111
L		X1	GDW REF. 740.12X X= LAST NUMBER ON KEY
L		X1	GDW REF. 718.15.001
L		X1	GDW REF. SYST60-10
L		X3	DIN931-M12X110-8.8
L		X3	DIN128A-M12
L		X6	DIN125A-M12
L		X3	DIN934-M12

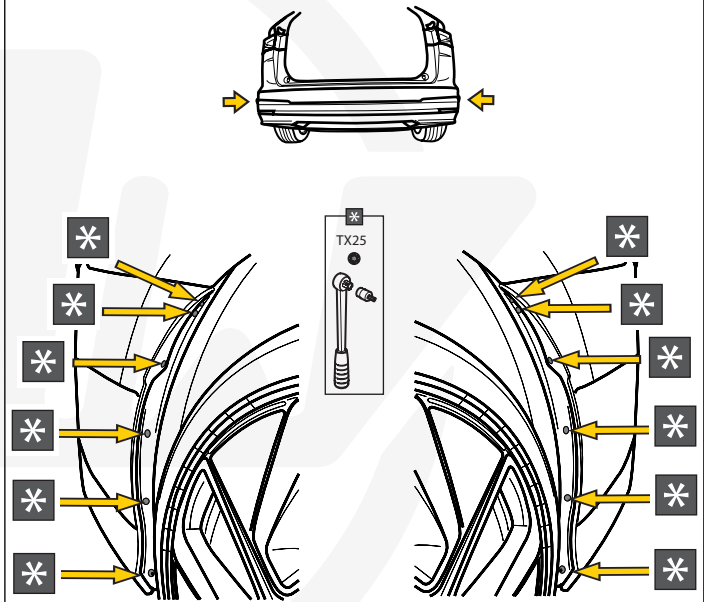


1

Skoda Enyaq

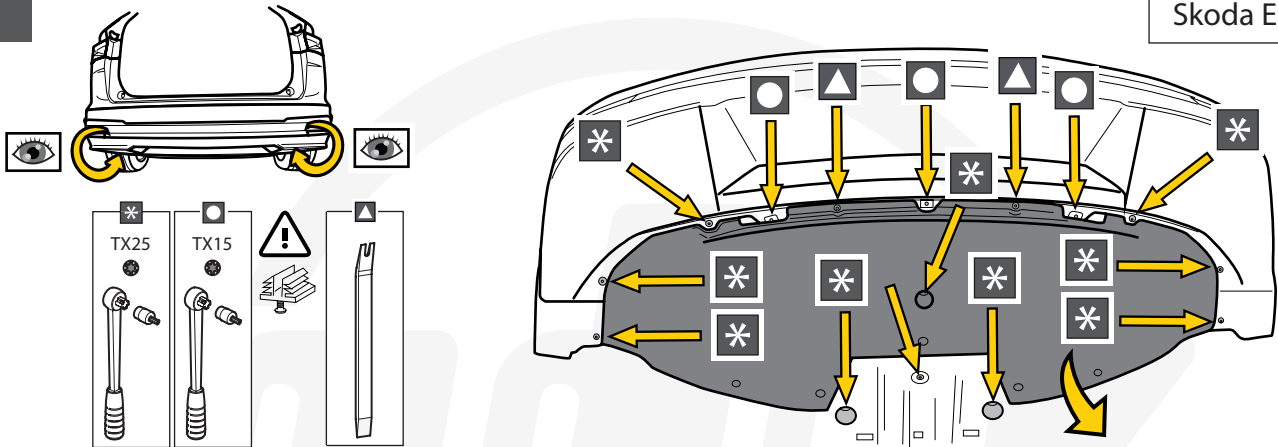


Volkswagen ID.7

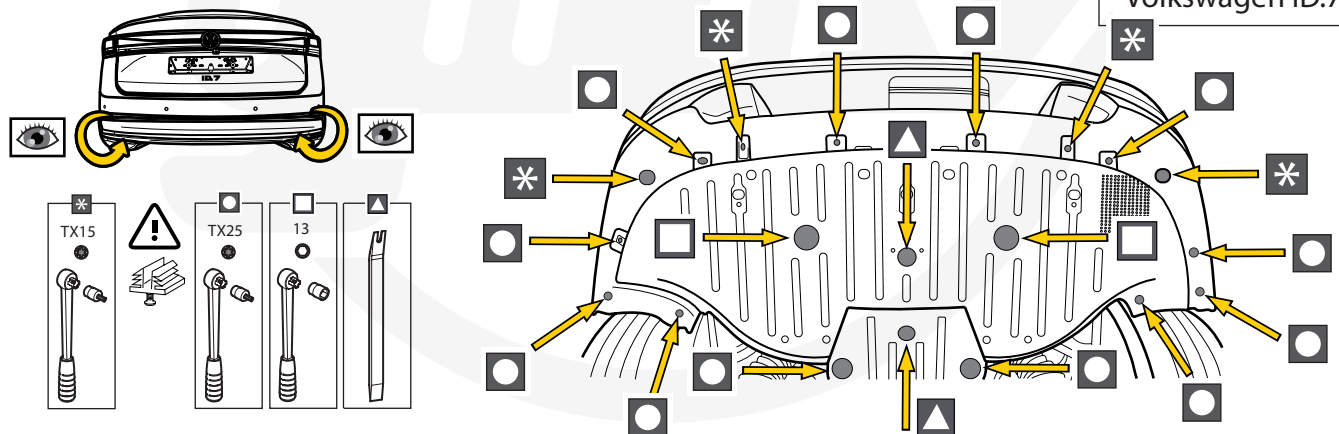


2

Skoda Enyaq



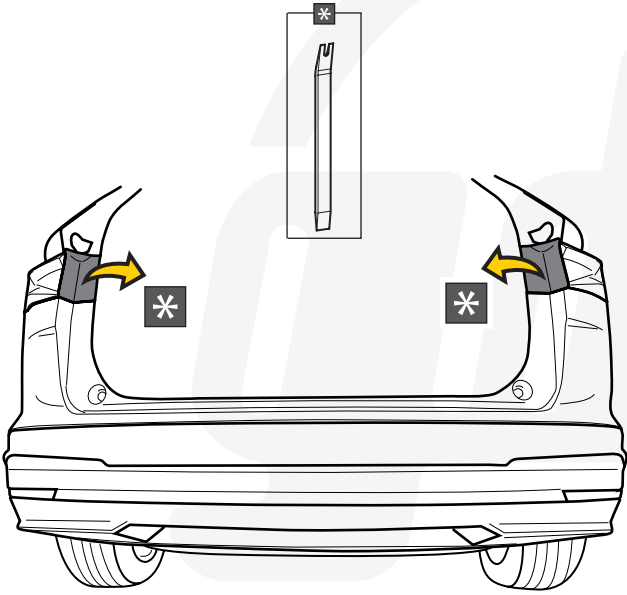
Volkswagen ID.7



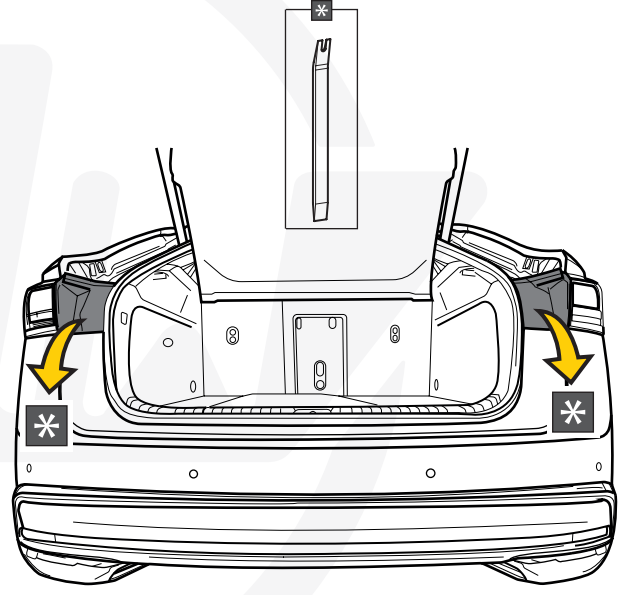


3

Skoda Enyaq

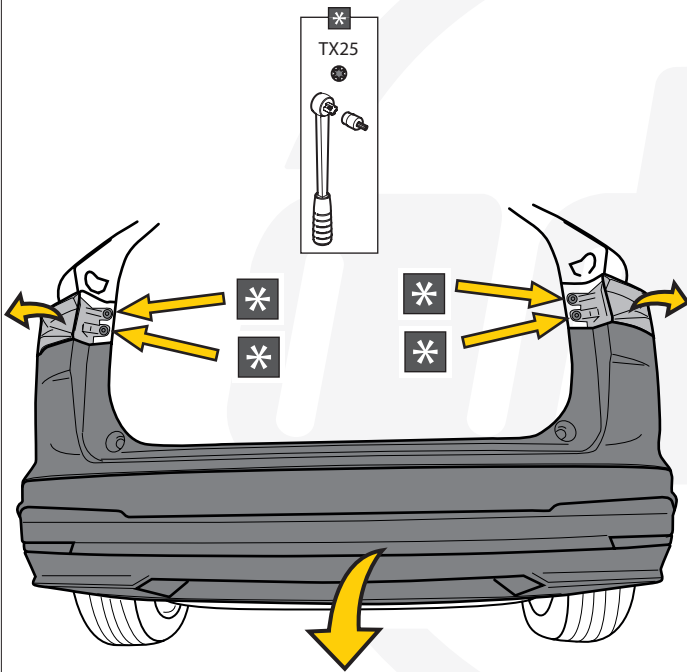


Volkswagen ID.7

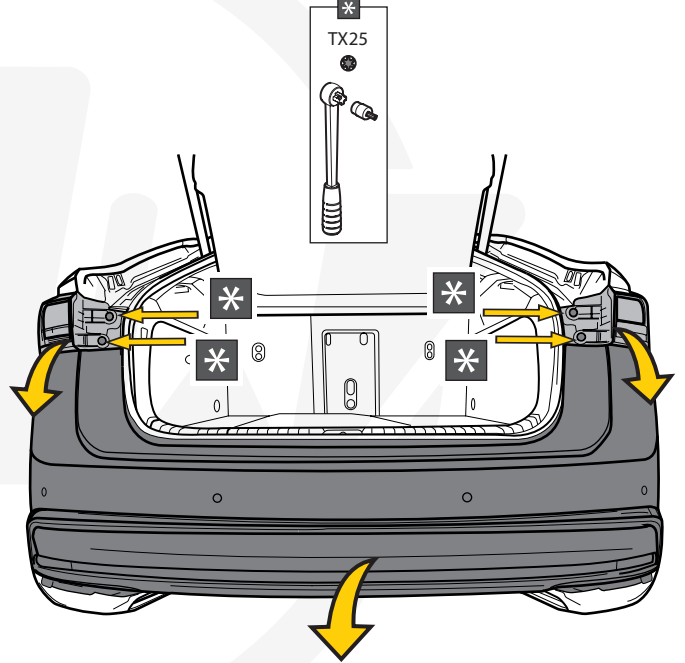


4

Skoda Enyaq

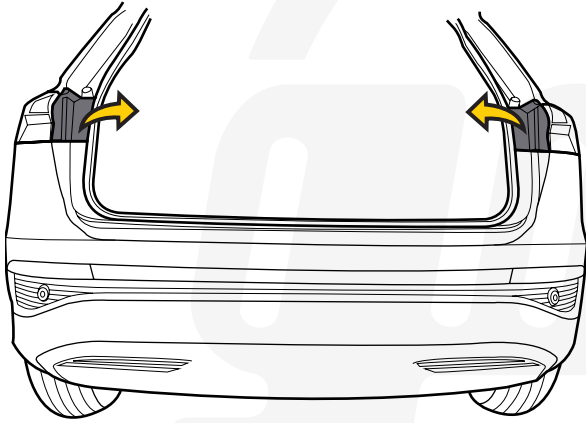


Volkswagen ID.7

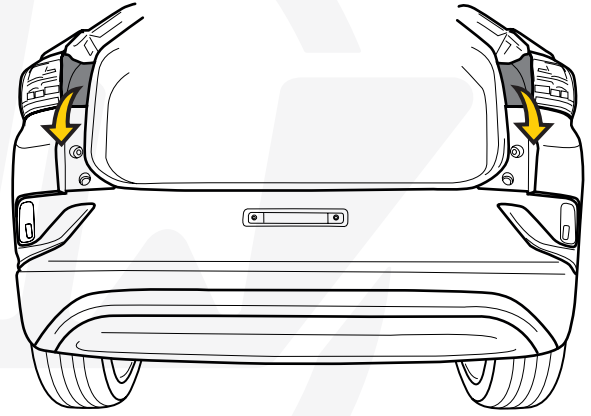


5

Audi Q4 e-tron

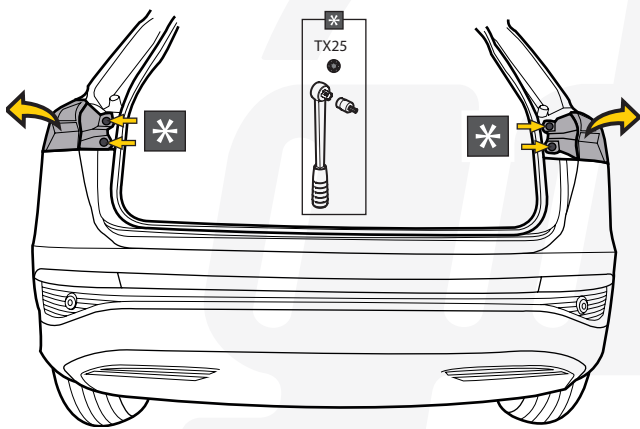


Volkswagen ID.4 - ID.5

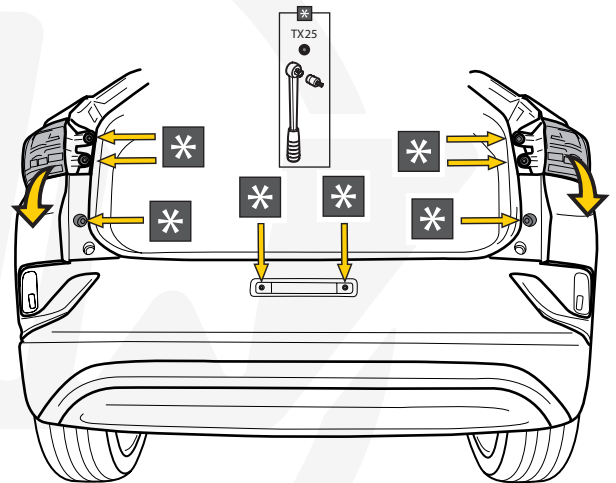


6

Audi Q4 e-tron



Volkswagen ID.4 - ID.5

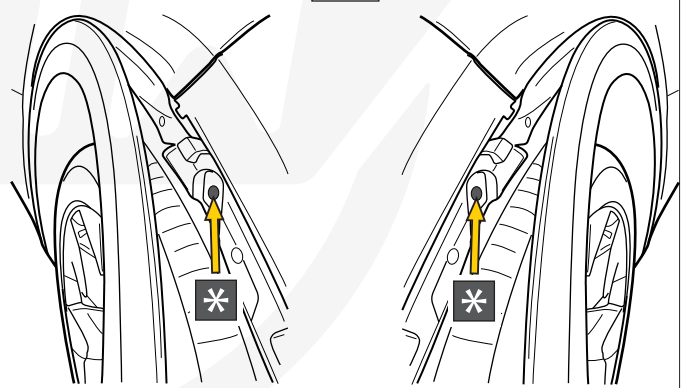
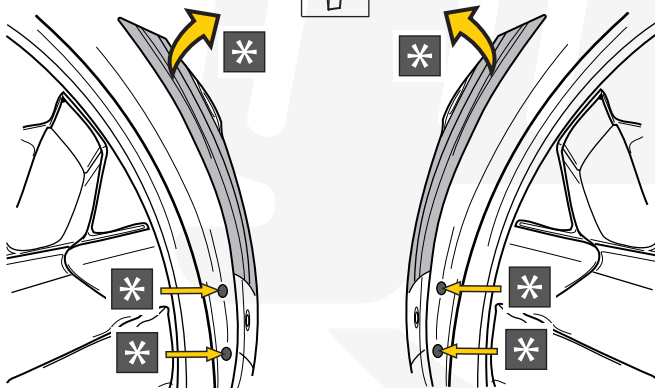
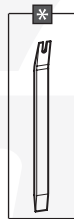
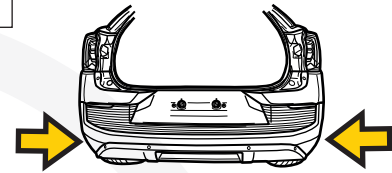
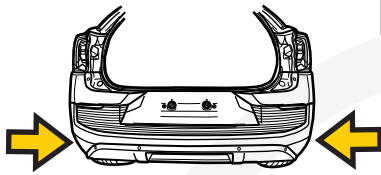
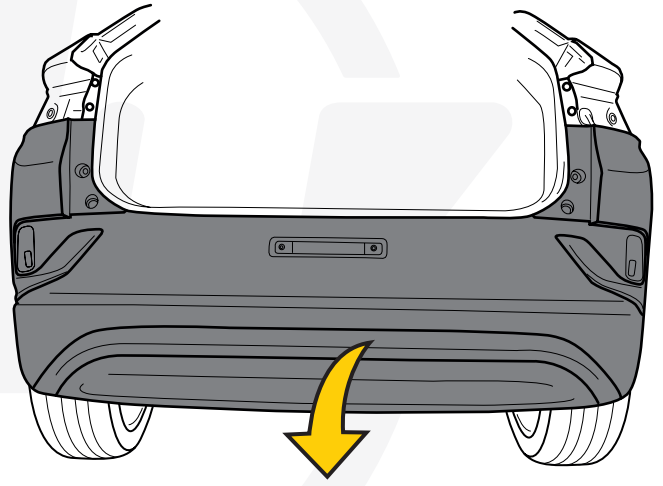
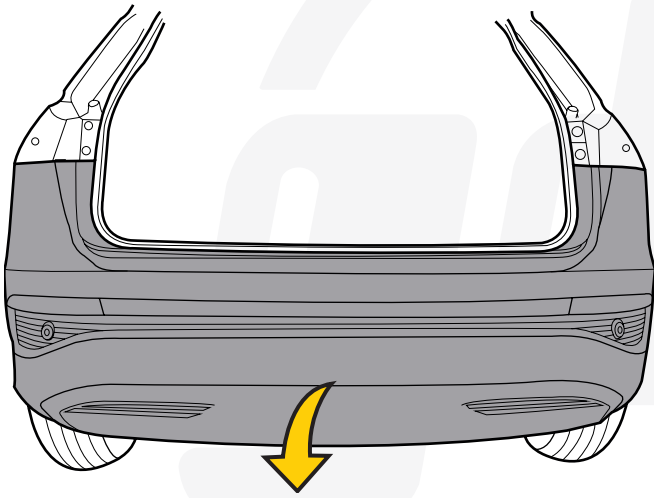


7 Audi Q4 e-tron

Volkswagen ID.4 - ID.5

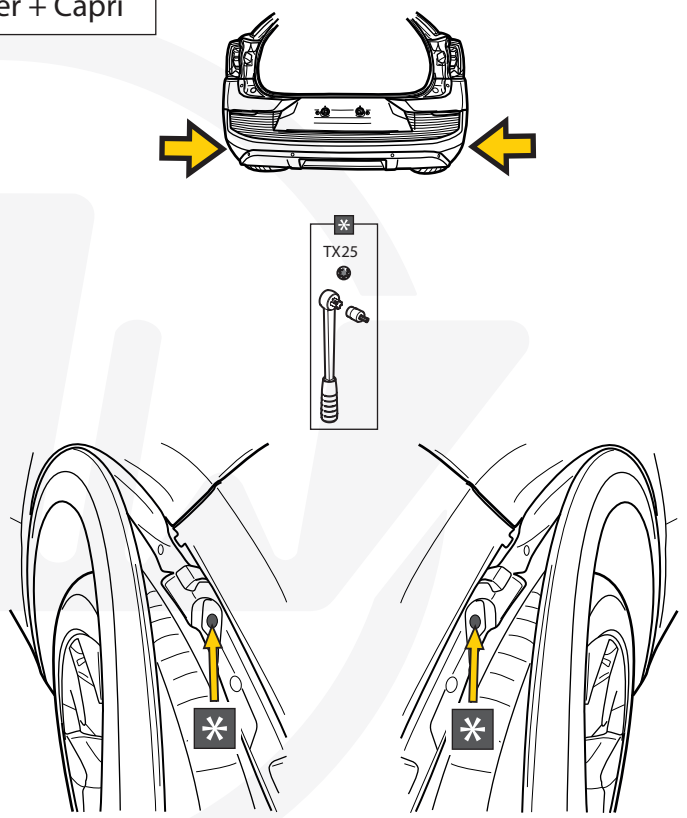
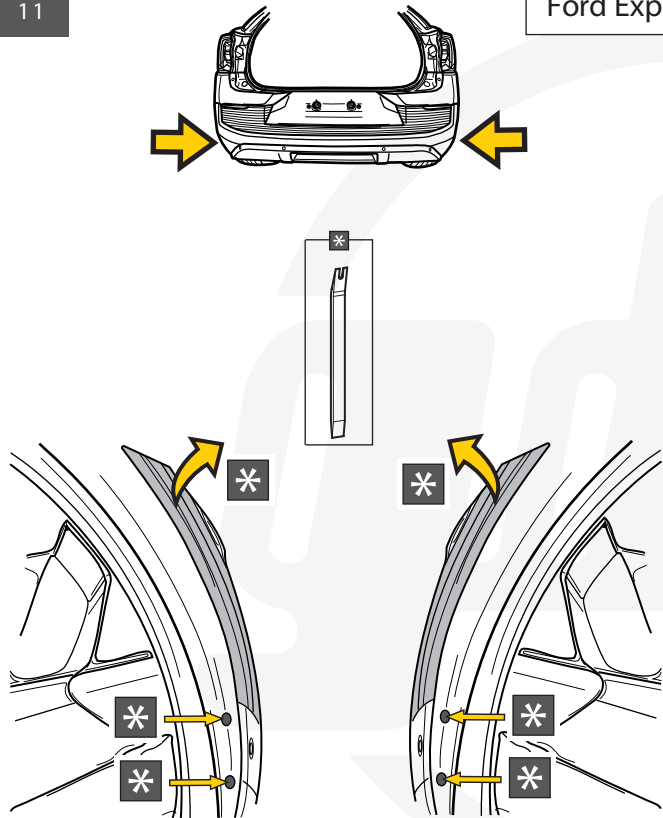
8 Audi Q4 e-tron

Volkswagen ID.4 - ID.5



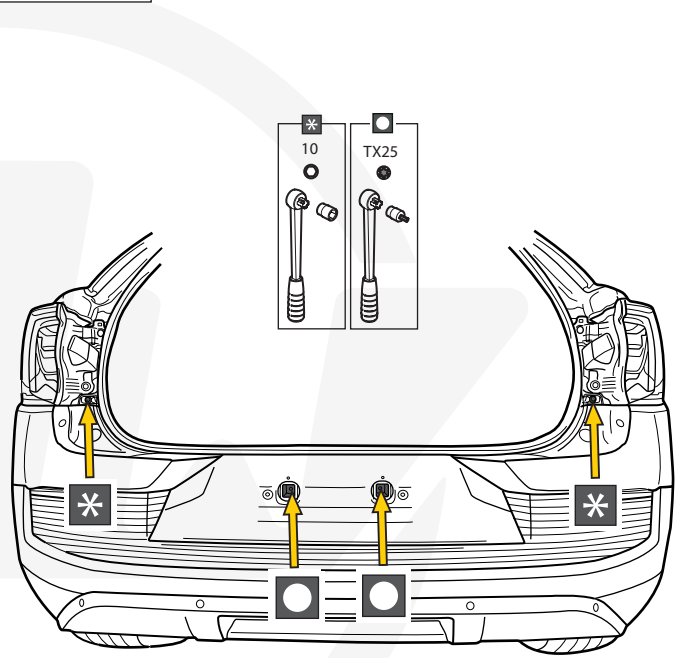
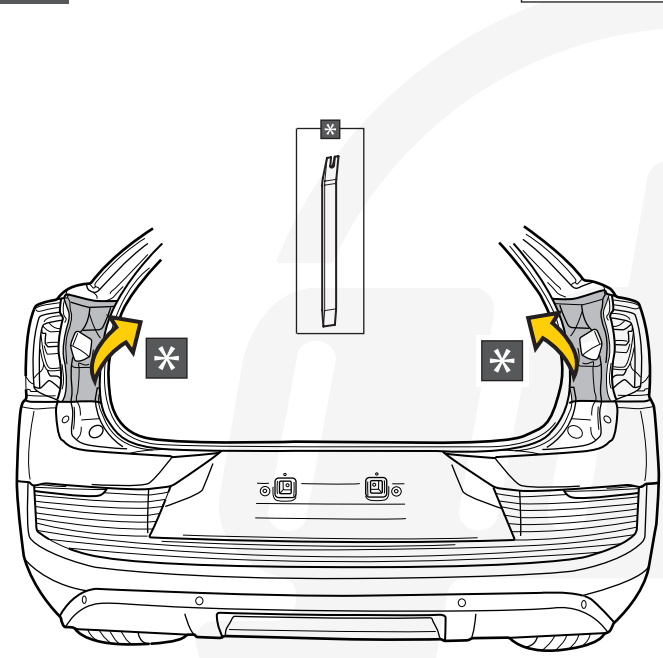
11

Ford Explorer + Capri

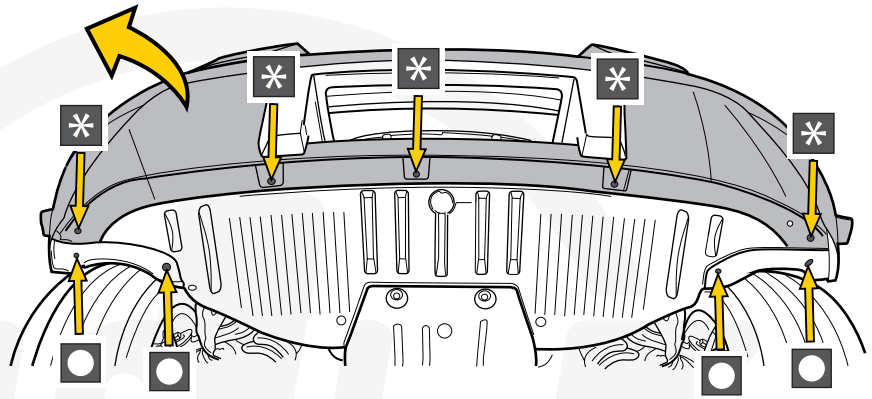
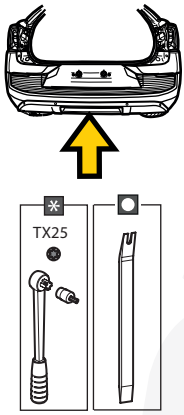


12

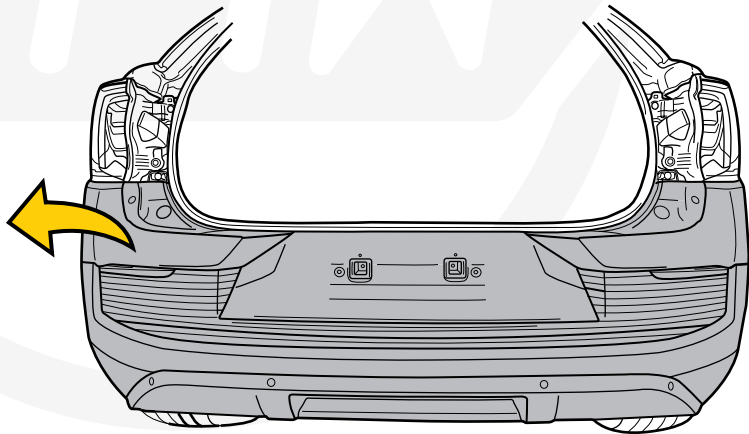
Ford Explorer + Capri



13

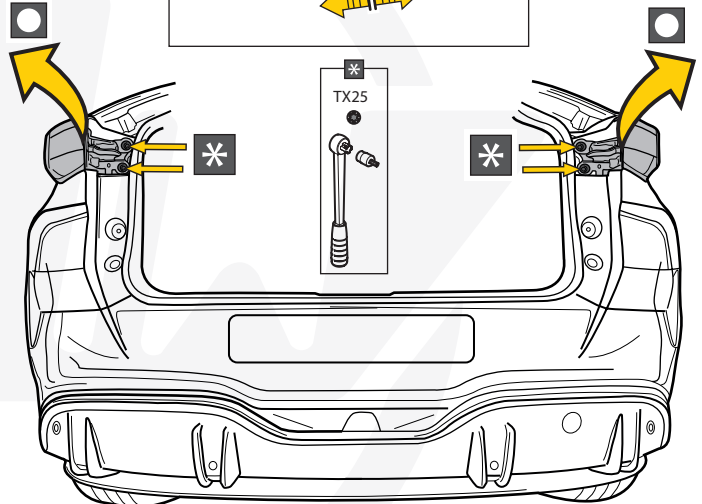
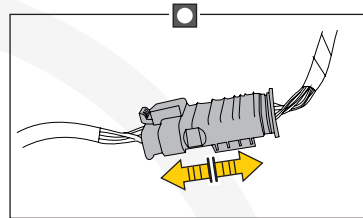
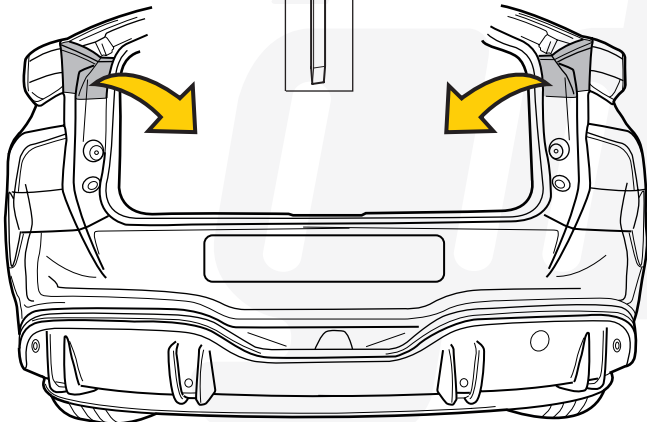
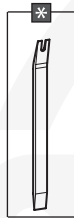


Ford Explorer + Capri

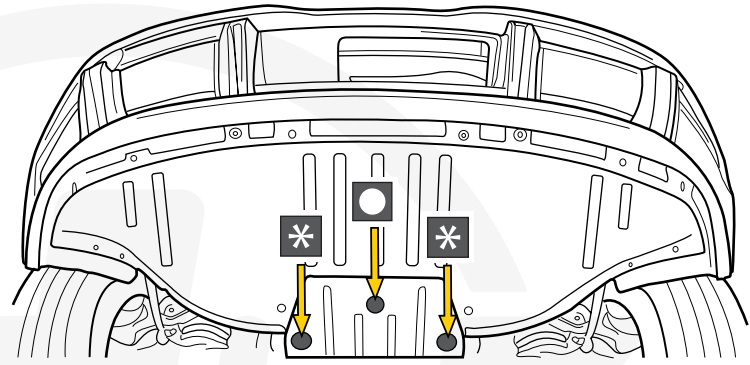
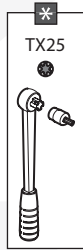
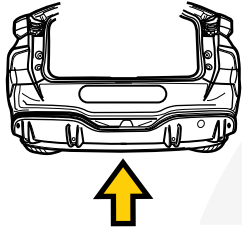


14

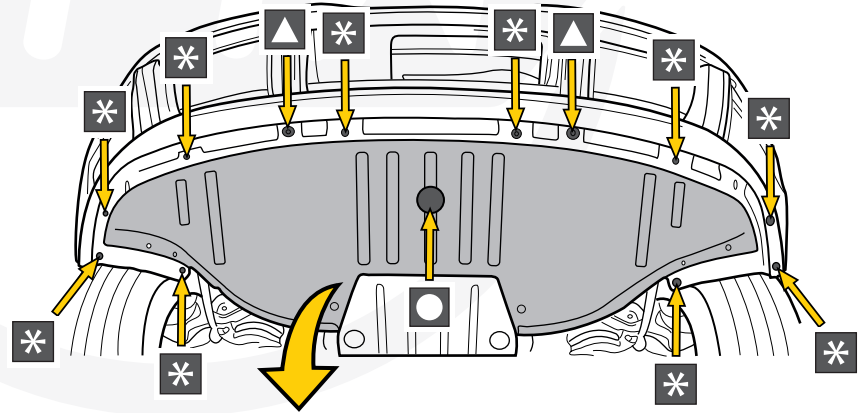
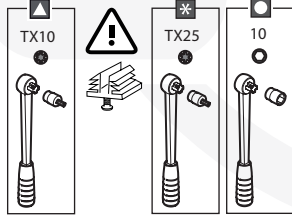
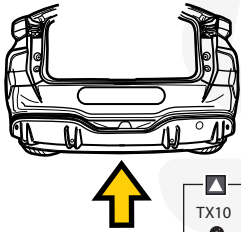
Cupra Tavascan



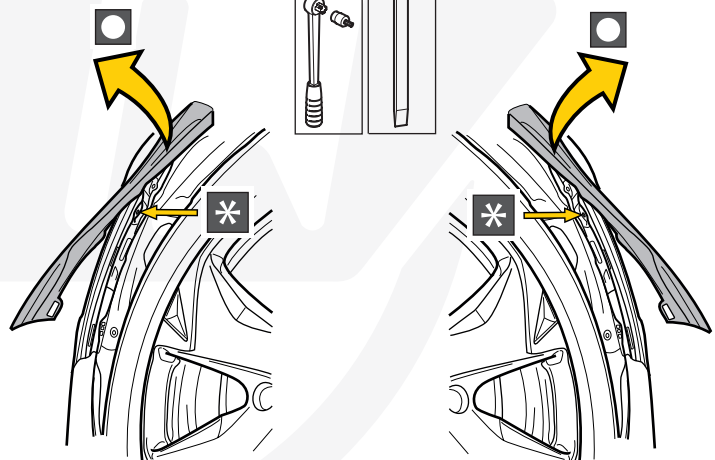
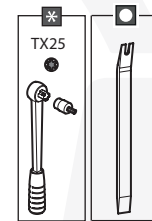
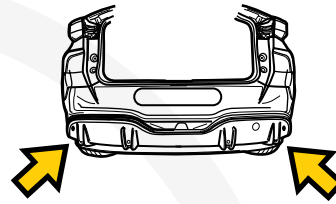
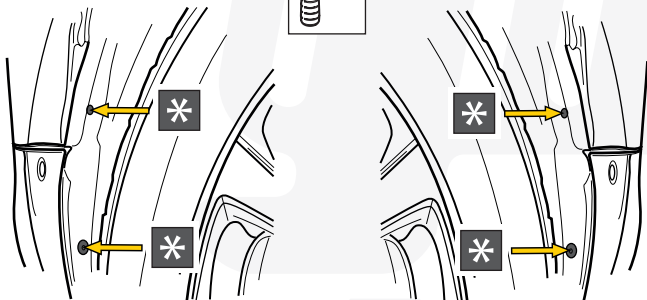
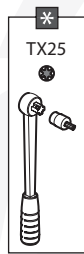
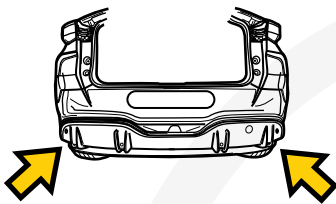




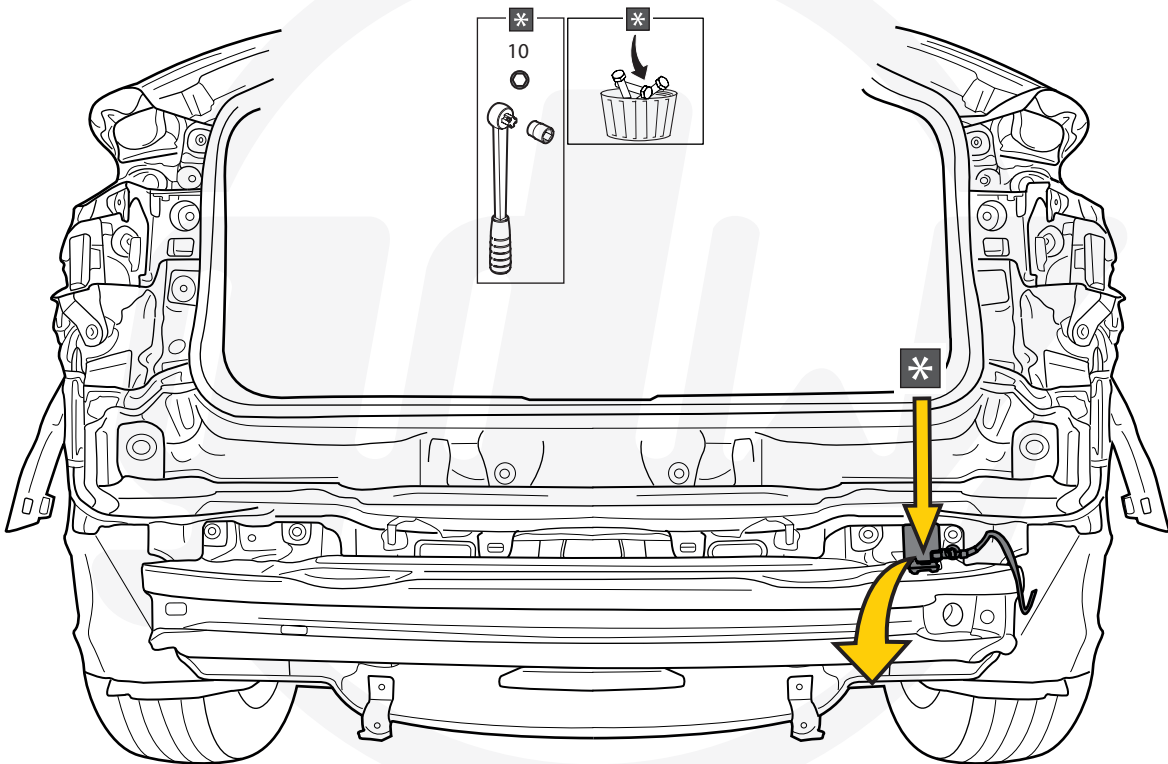
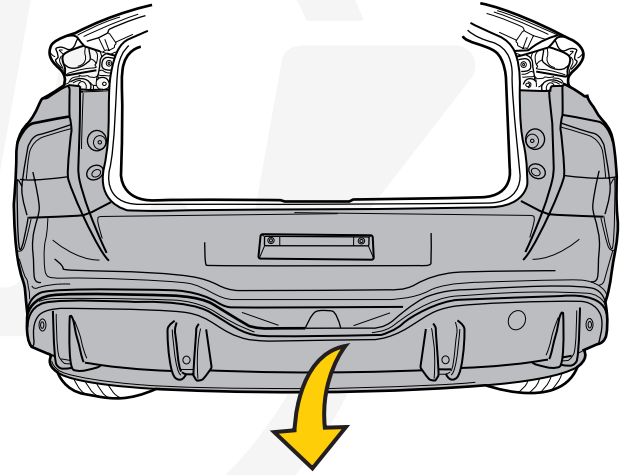
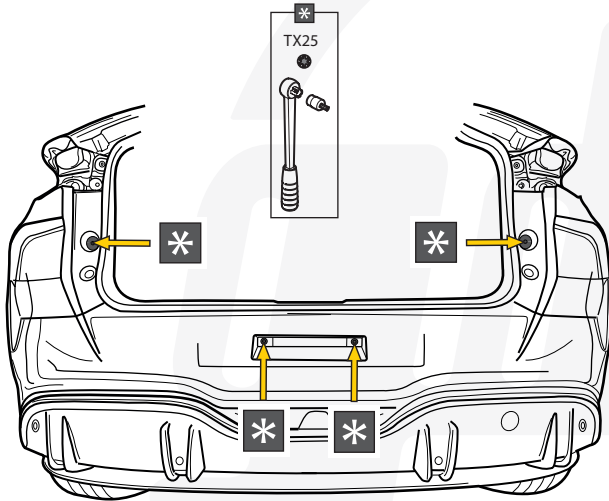
Cupra Tavascan

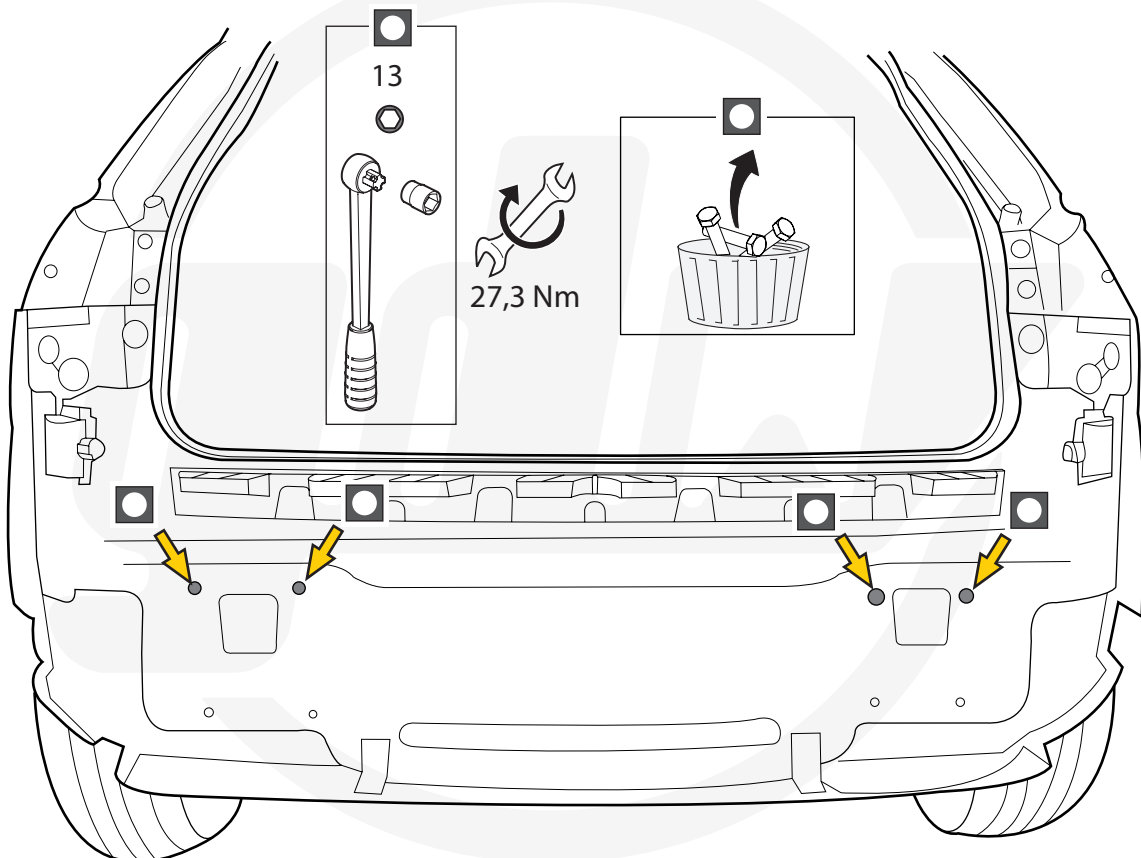
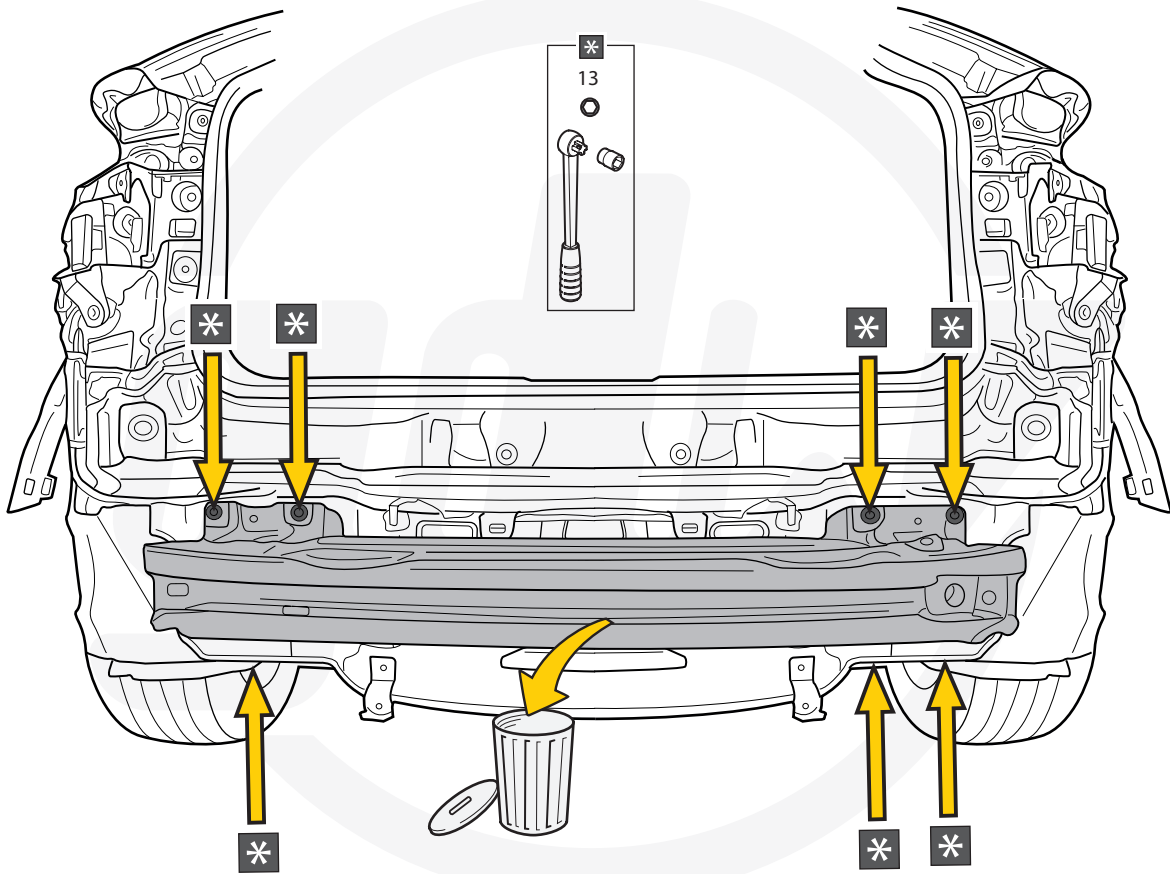


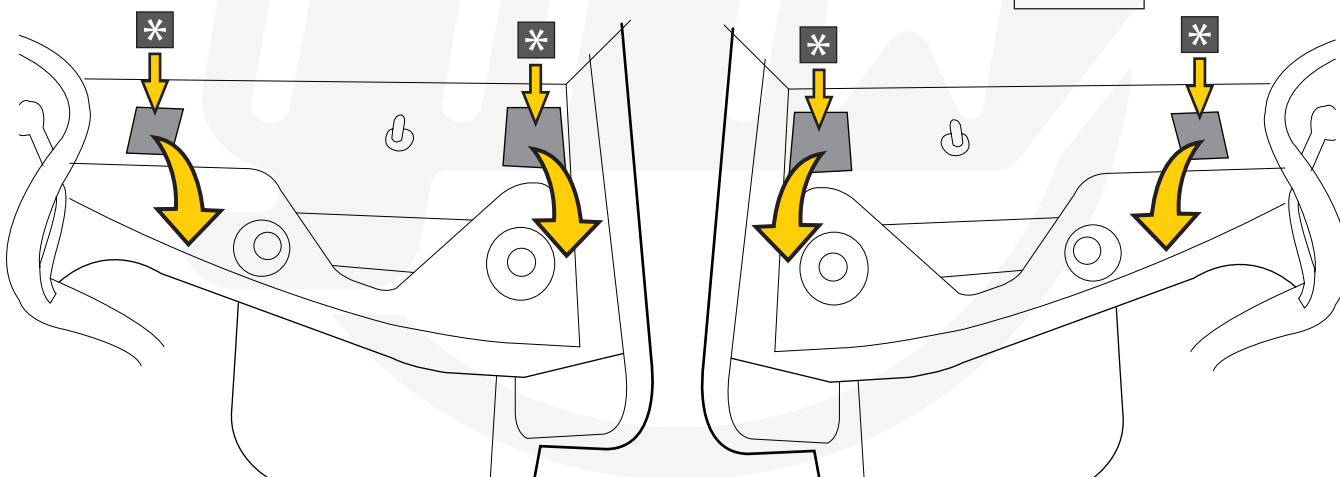
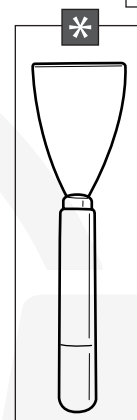
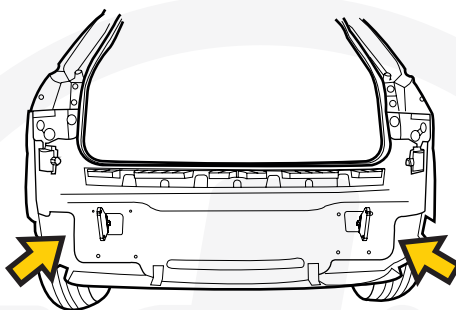
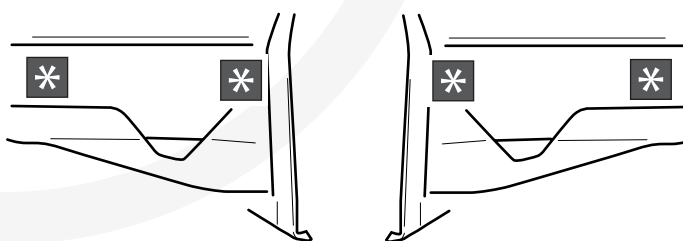
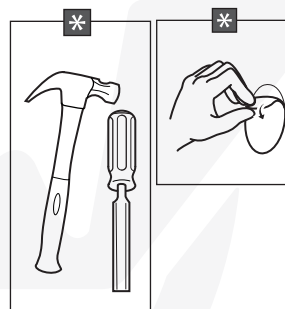
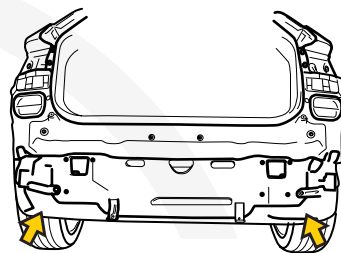
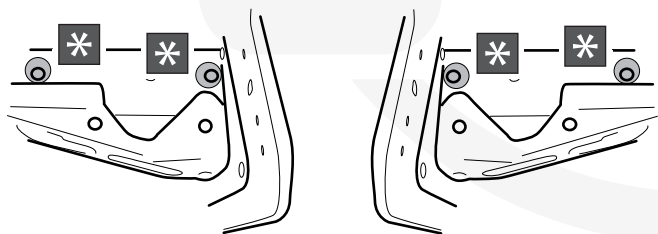
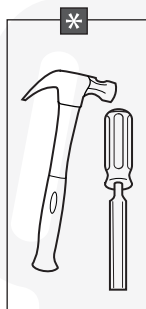
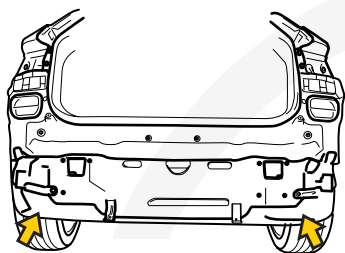
Cupra Tavascan

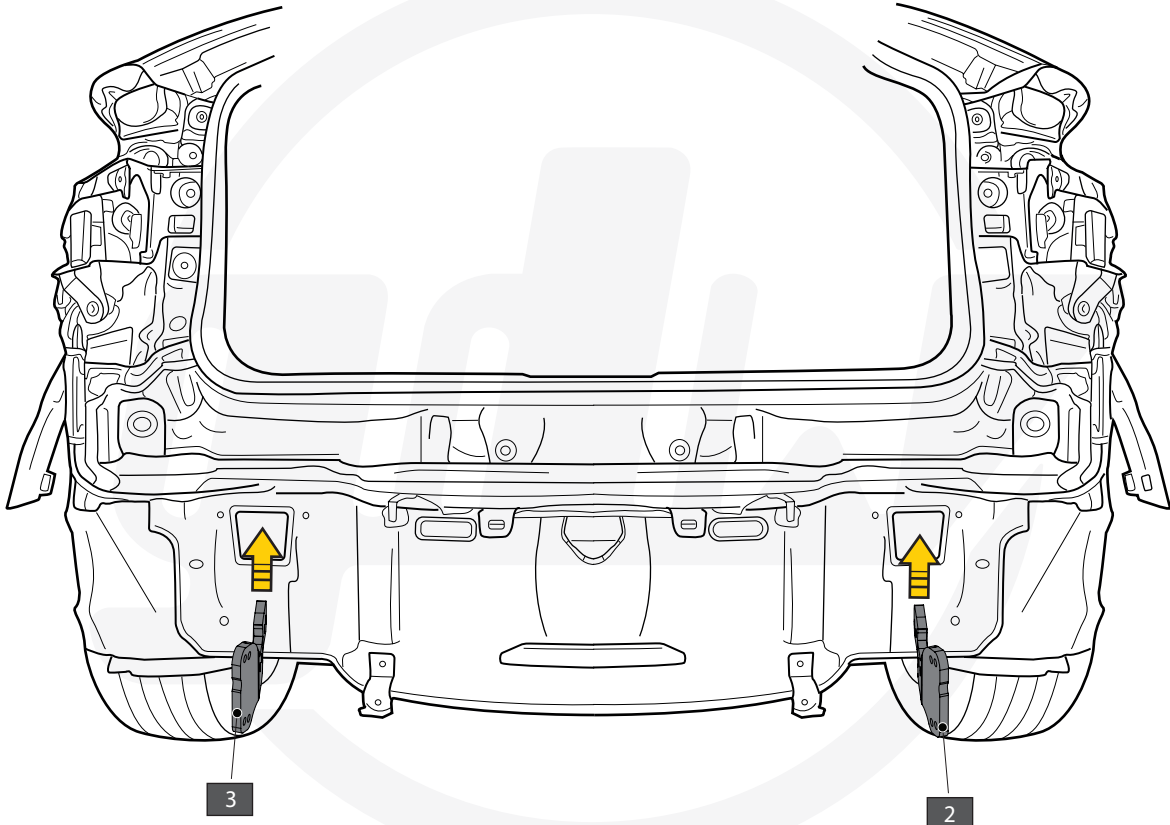




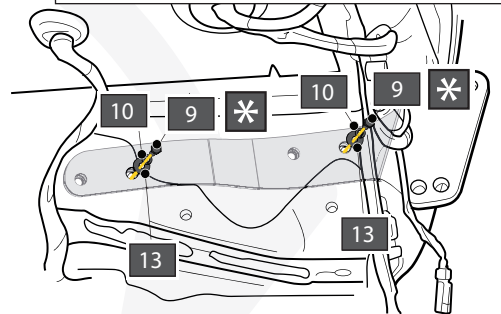
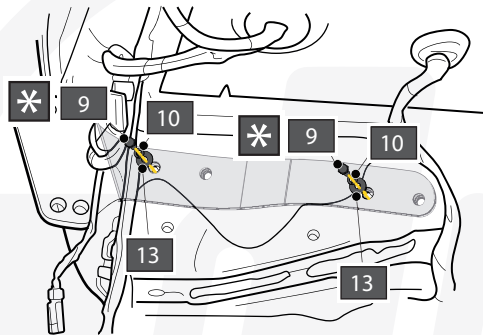
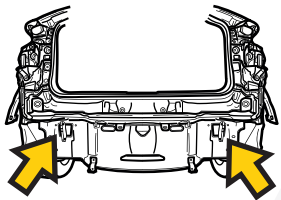




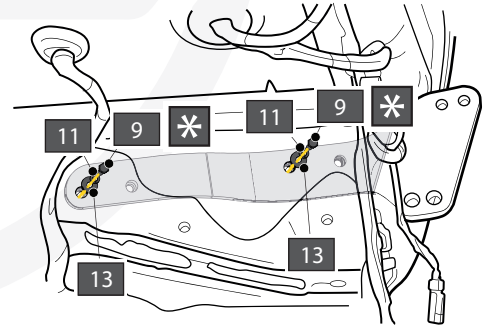
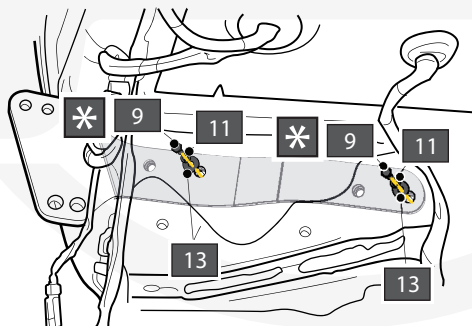
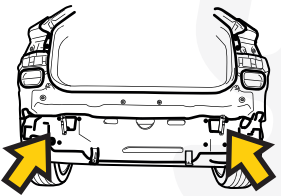


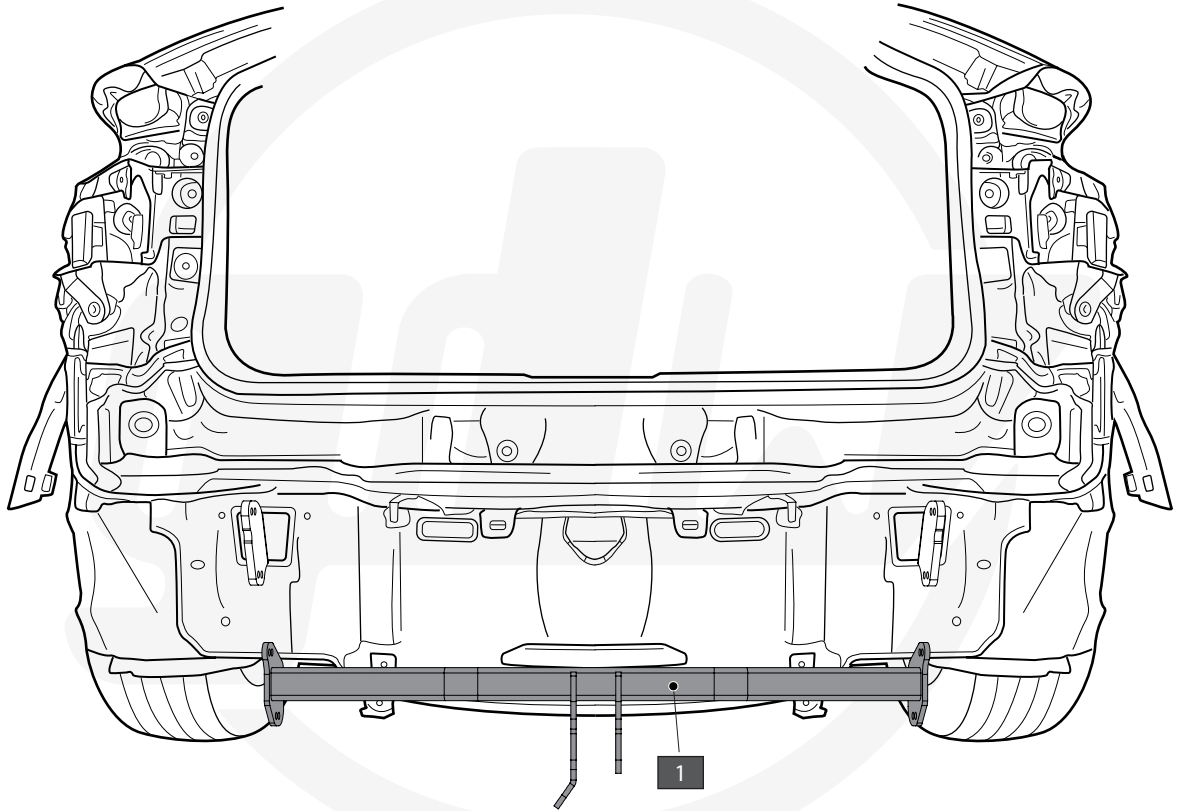


Audi Q4 e-tron  
Cupra Tavascan  
Ford Explorer + Capri  
Volkswagen ID.4 + ID.5 + ID.7

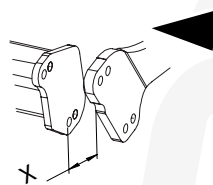
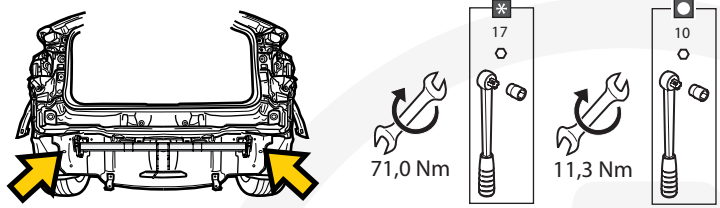


Skoda Enyaq

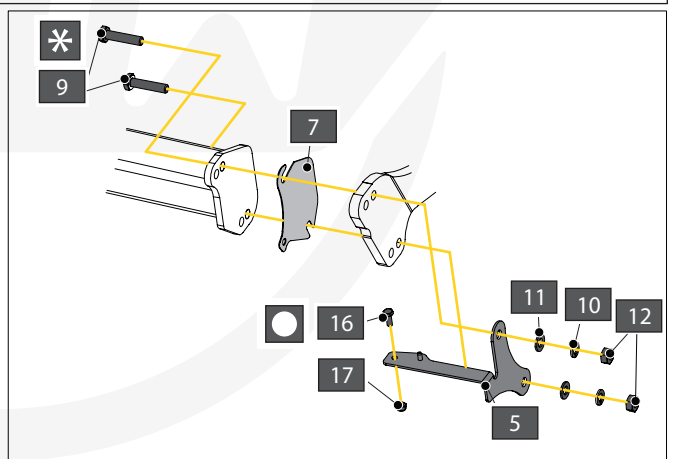
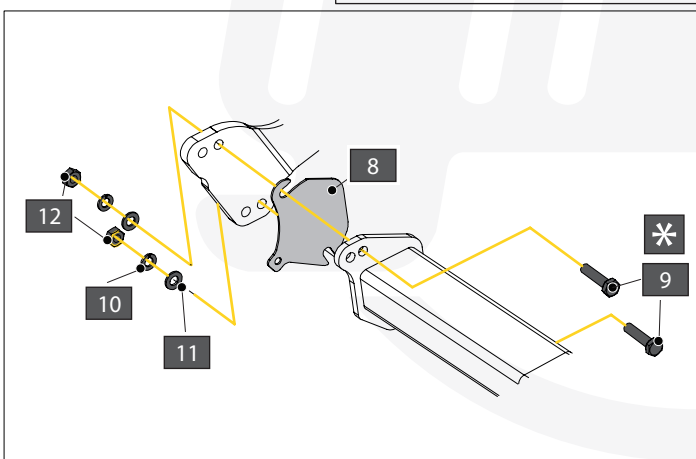




Cupra Tavascan  
Ford Explorer + Capri

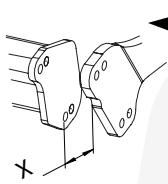
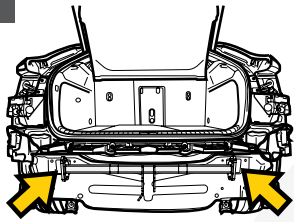


$X < 1 \text{ mm}$	$1 \leq X < 2 \text{ mm}$	$2 \leq X < 3 \text{ mm}$	$3 \leq X < 4 \text{ mm}$	$4 \leq X < 5 \text{ mm}$
	(1)	(2)	(1+2)	(2+2)



27

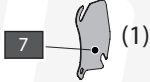
Volkswagen ID.7



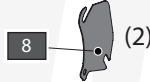
$X < 1 \text{ mm}$



$1 \leq X < 2 \text{ mm}$



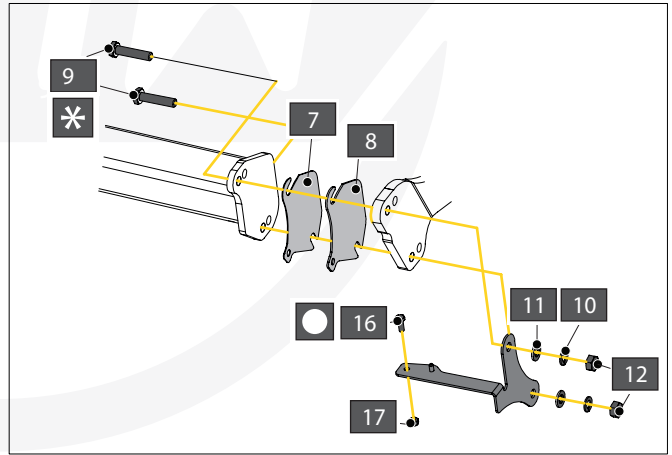
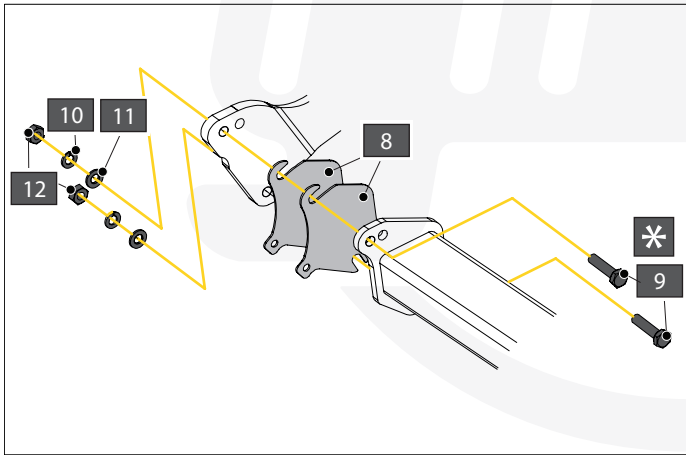
$2 \leq X < 3 \text{ mm}$



$3 \leq X < 4 \text{ mm}$

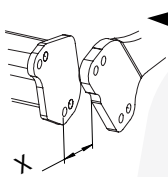
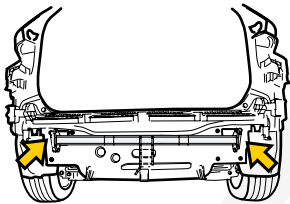


$4 \leq X < 5 \text{ mm}$



28

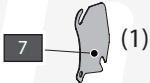
Audi Q4 e-tron  
Volkswagen ID.4 + ID.5



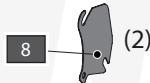
$X < 1 \text{ mm}$



$1 \leq X < 2 \text{ mm}$



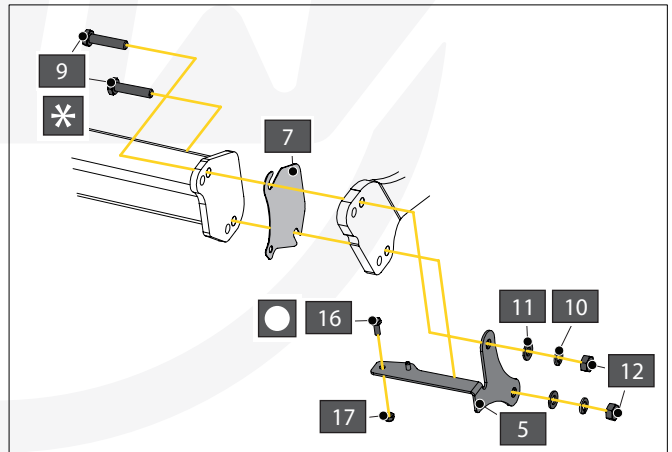
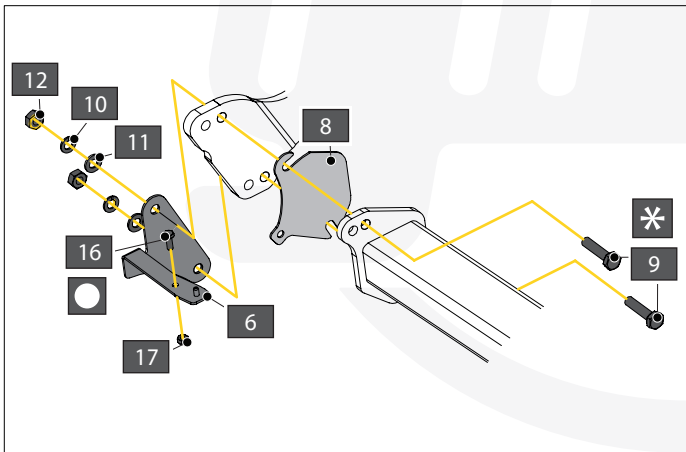
$2 \leq X < 3 \text{ mm}$



$3 \leq X < 4 \text{ mm}$

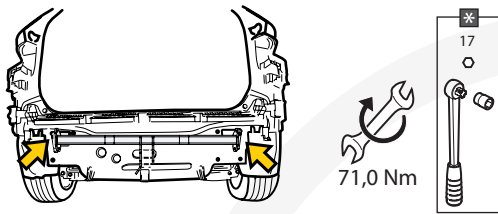


$4 \leq X < 5 \text{ mm}$

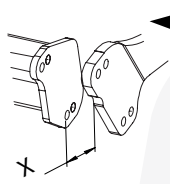




29



71,0 Nm



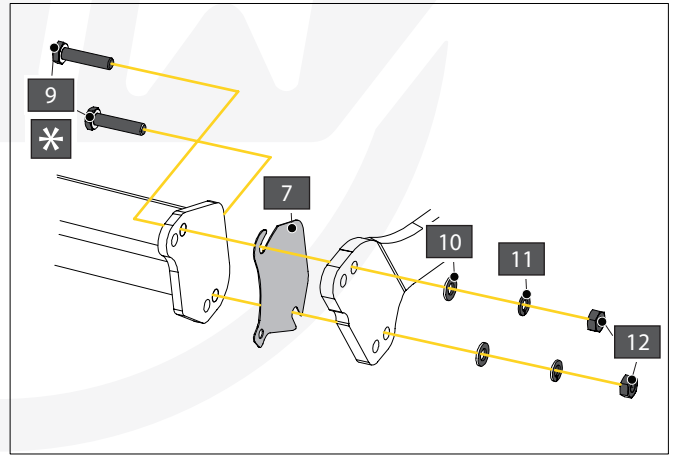
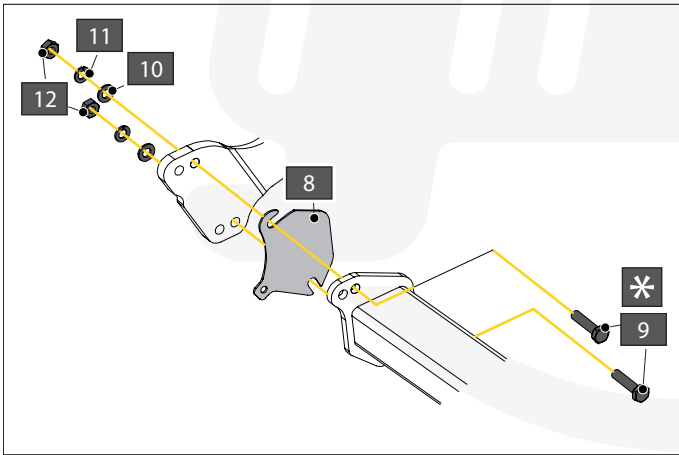
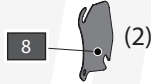
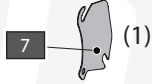
$X < 1 \text{ mm}$

$1 \leq X < 2 \text{ mm}$

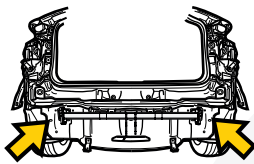
$2 \leq X < 3 \text{ mm}$

$3 \leq X < 4 \text{ mm}$   
(1+2)

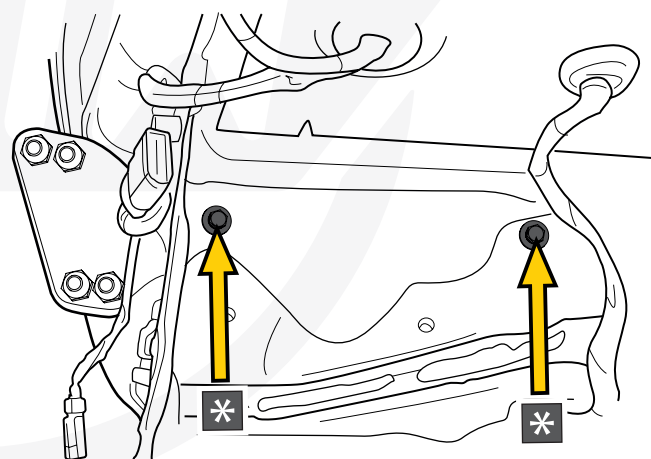
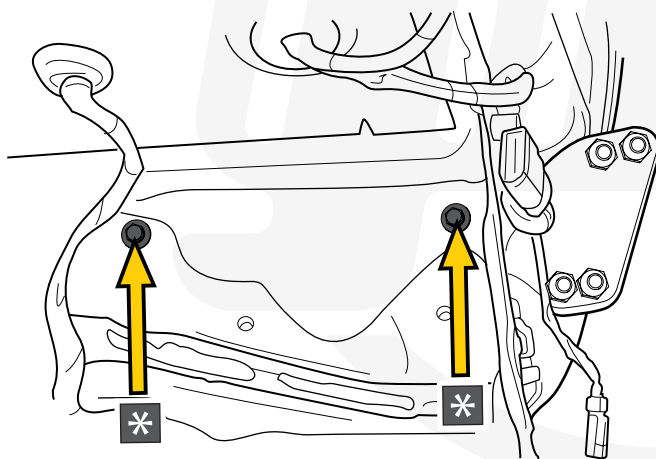
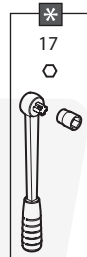
$4 \leq X < 5 \text{ mm}$   
(2+2)



30



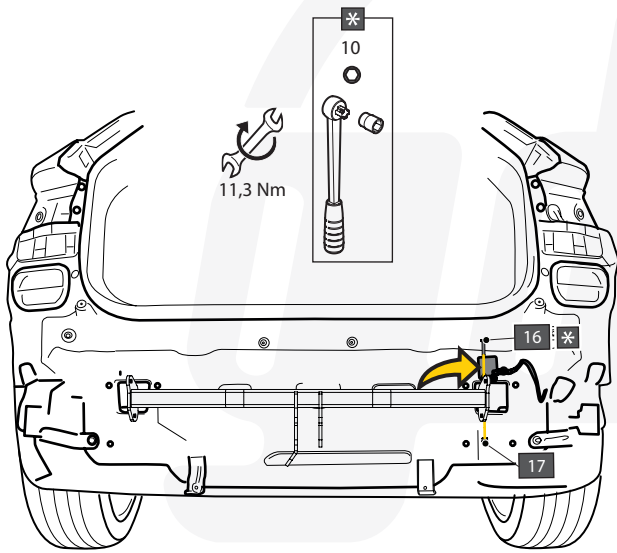
71,0 Nm



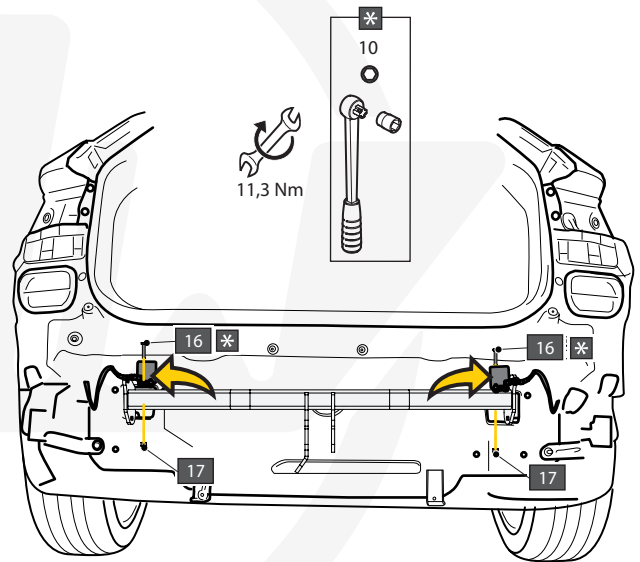


31

Cupra Tavascan  
Ford Explorer + Capri  
Volkswagen ID.7

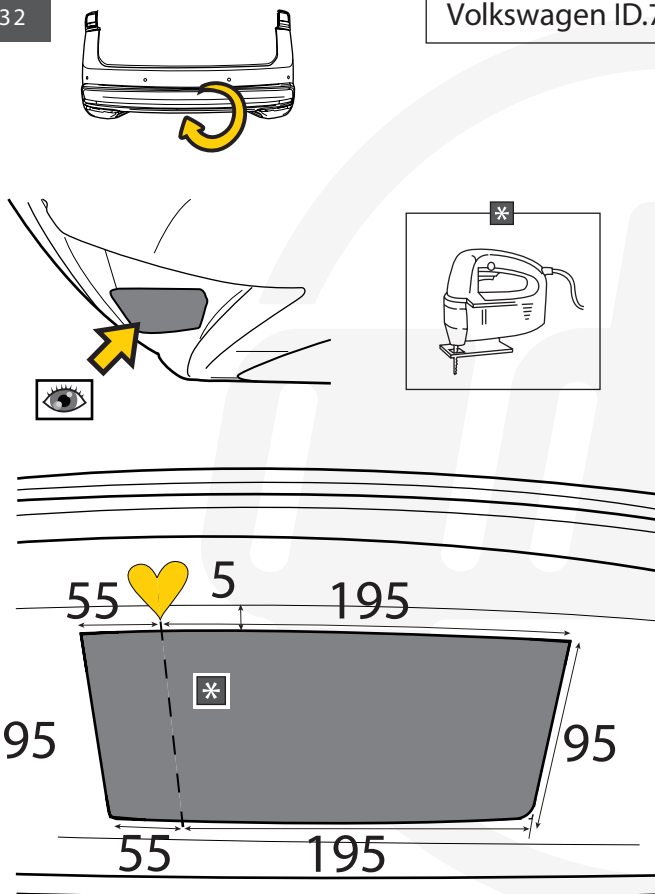


Audi Q4 e-tron  
Volkswagen ID.4 + ID.5

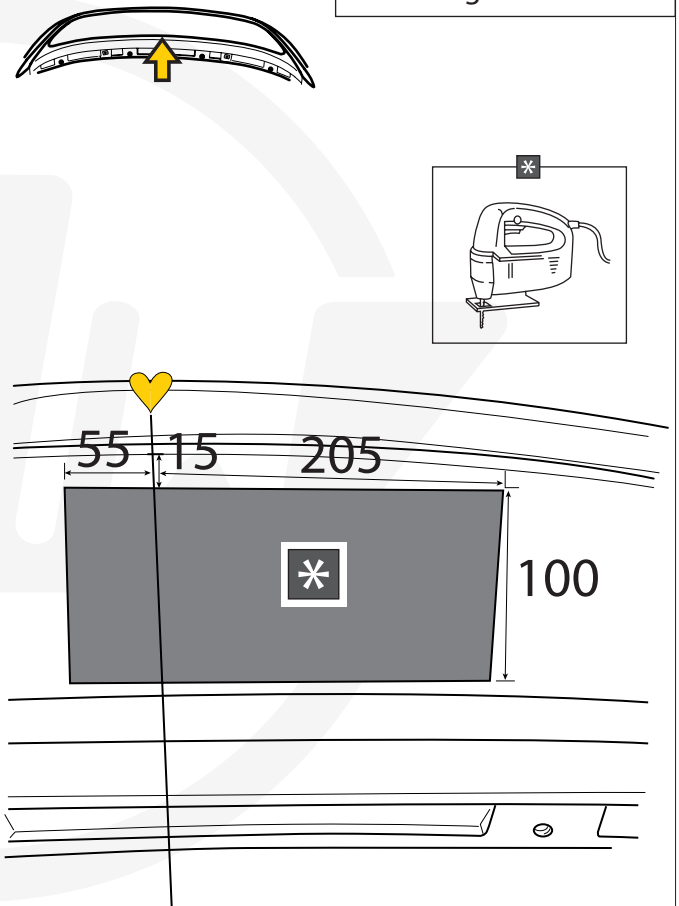


32

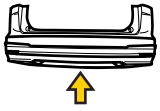
Volkswagen ID.7



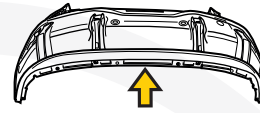
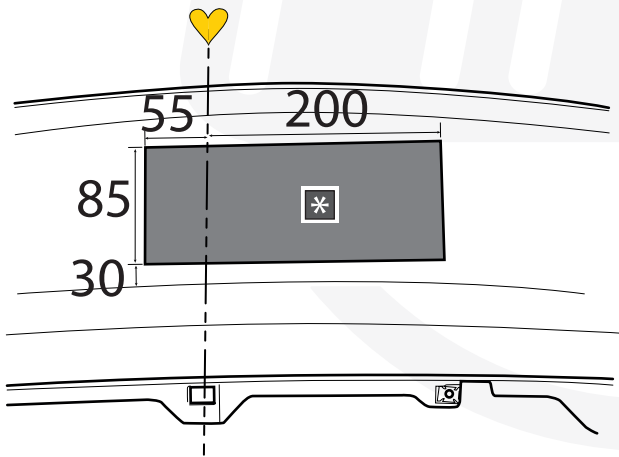
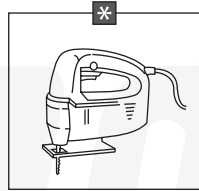
Volkswagen ID.4 + ID.5



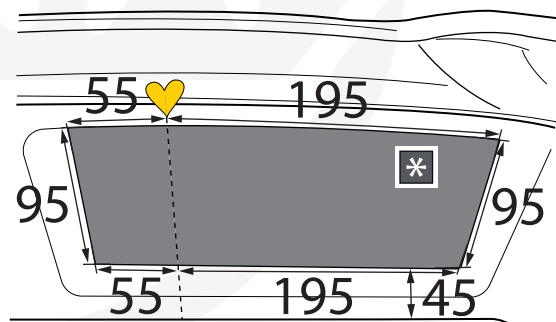
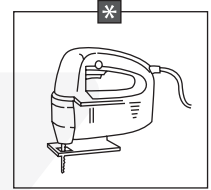
33



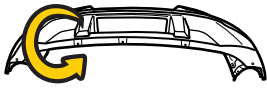
Skoda Enyaq



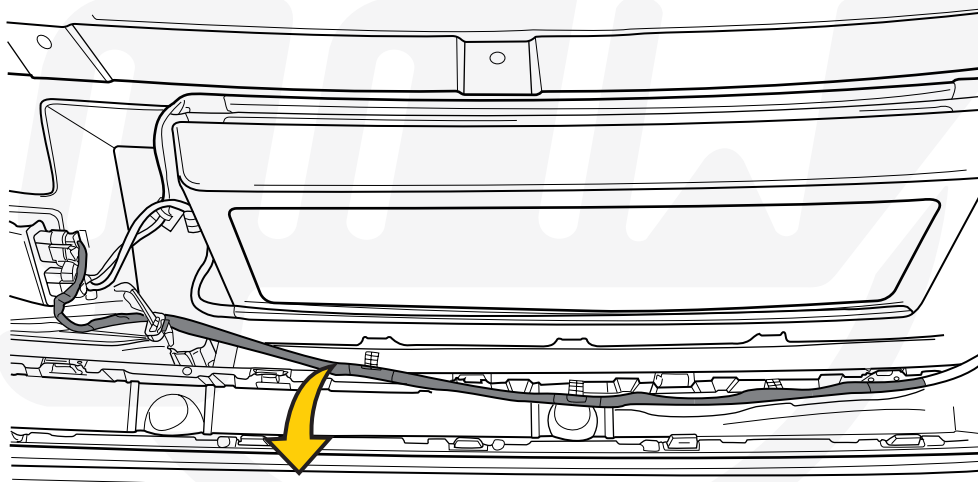
Cupra Tavascan



34

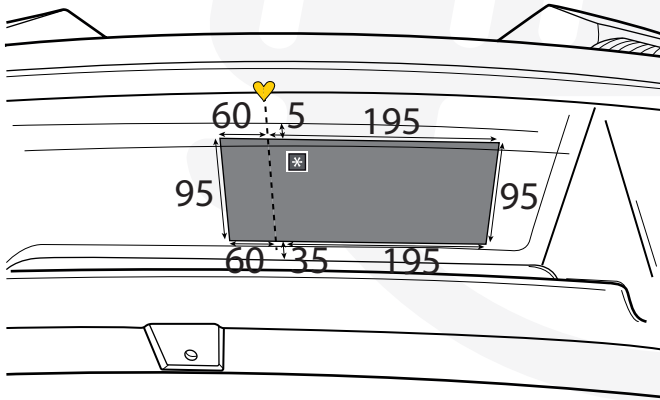
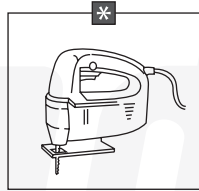
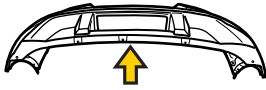


Ford Explorer + Capri  
Only for vehicles with a Kick Sensor:  
remove before cutout.

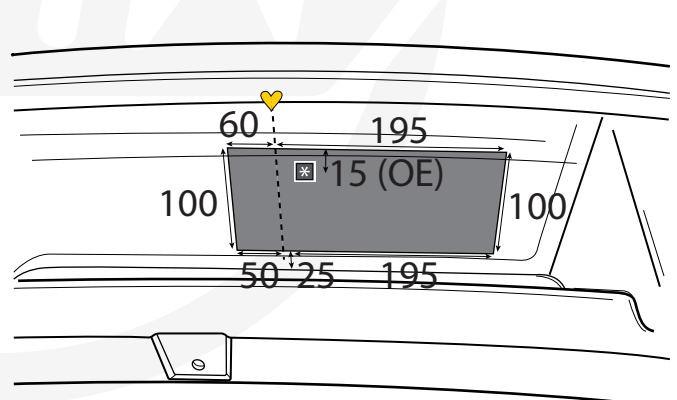
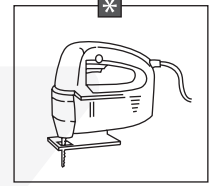
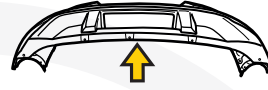


35

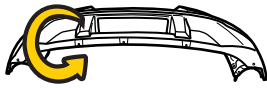
Ford Explorer



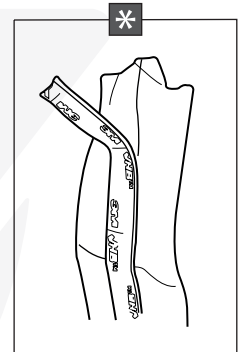
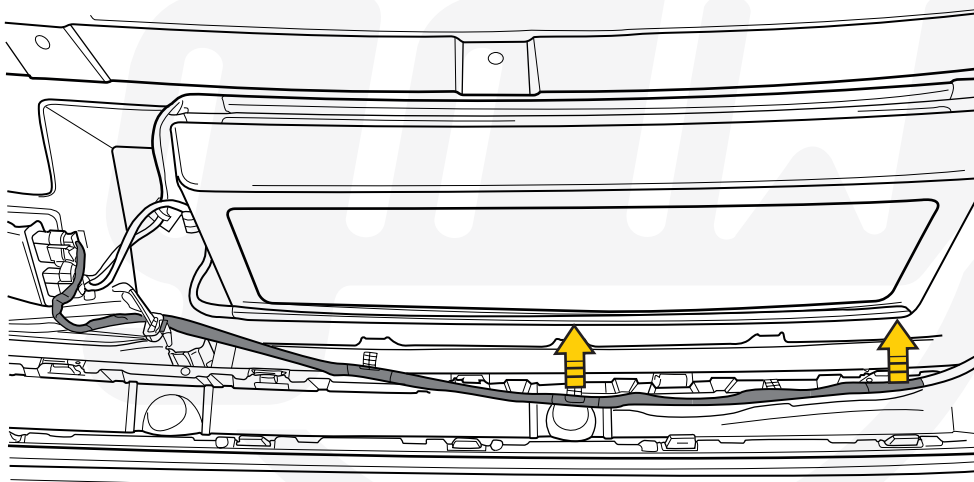
Ford Capri



36

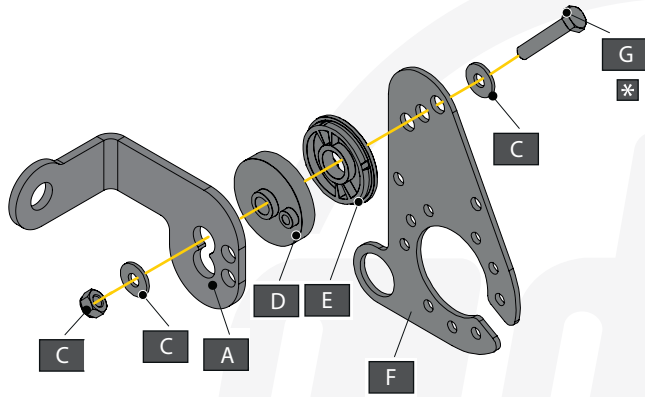


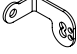






Ford Explorer + Capri  
Only for vehicles with a Kick Sensor:  
reposition sensor with adhesive strip.

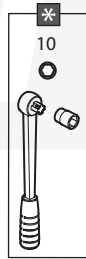


37

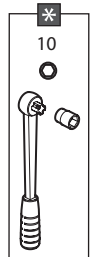
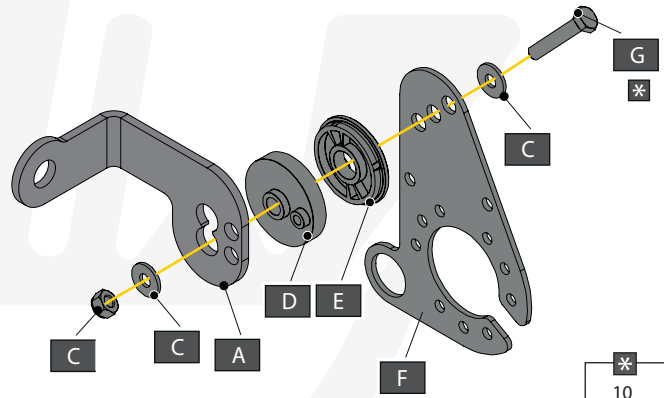
## Skoda Enyaq



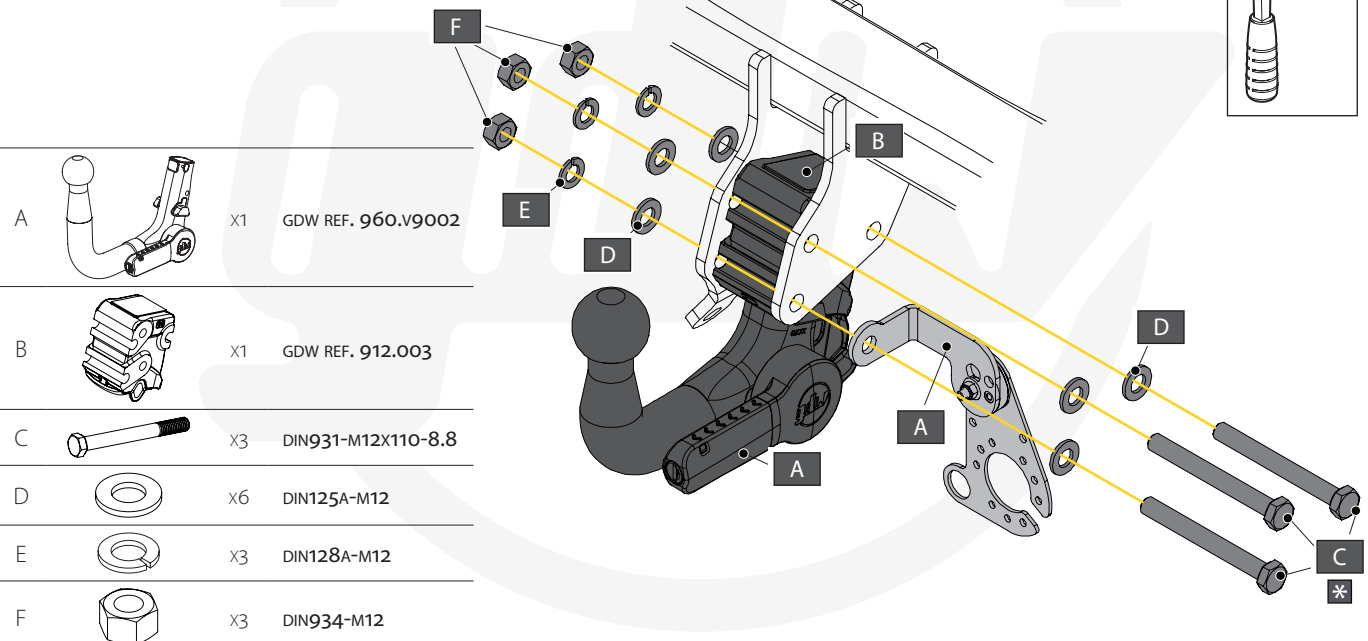
A		X1	GDW REF.4
B		X1	DIN985-M6
C		X2	Ø15,4 X 6,2 X 1,6 (NYLON)
D		X1	GDW REF. 718.16.002
E		X1	GDW REF. 718.16.003
F		X1	GDW REF. 908.094
G		X1	DIN933-M6 X 30

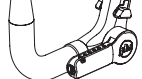







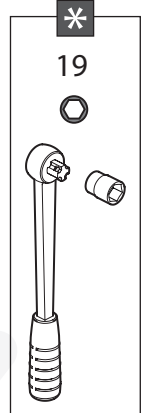
Audi Q4 e-tron  
Cupra Tavascan  
Ford Explorer + Capri  
Volkswagen ID.4 + ID.5 + ID.7



38



A		X1	GDW REF. 960.V9002
B		X1	GDW REF. 912.003
C		X3	DIN931-M12X110-8.8
D		X6	DIN125A-M12
E		X3	DIN128A-M12
F		X3	DIN934-M12



# DICHIARAZIONE DI CORRETTO MONTAGGIO

## DECLARATION OF CORRECT INSTALLATION

La sottoscritta ditta dichiara di aver montato in maniera corretta il dispositivo di traino di cui sotto, **seguendo le prescrizioni del costruttore del veicolo e del costruttore del dispositivo.**

*The undersigned company declares to have correctly mounted the towing device mentioned below, following the prescriptions of the vehicle manufacturer and the construction manufacturer.*

COSTRUTTORE	MANUFACTURER	<b>GDW N.V.</b>
RIFERIMENTO	REFERENCE	<b>2865T60</b>
AUTOVEICOLO	VEHICLE	AUDI Q4 E-TRON + SPORTSBACK, CUPRA TAVASCAN, FORD EXPLORER + CAPRI, VW ID.4 + ID.5 + ID.7, SKODA ENYAQ SUV + COUPÉ
CLASSE E TIPO DI ATTACO	CLASS	<b>A50-X</b>
APPROVAZIONE	HOMOLOGATION	<b>E6*55R02/02*1855</b>
VALORE D	D VALUE	<b>10,75 kN</b>

### Timbro e firma dell'installatore Stamp & signature of installer

DATA .....  
DATE

MASSA RIMORCHIABILE	TOWABLE MASS	<b>Vedere carta circolazione del veicolo</b> See registration certificate of vehicle
CARICO VERTICALE MAX. S	MAX. VERTICAL LOAD S	<b>75 kg</b>

Per facilitare il controllo della compatibilità del dispositivo di traino sul veicolo, è opportuno confrontare le masse riportate sulla carta di circolazione del veicolo con le masse di riferimento sotto riportate (**T** ed **C**):

*To simplify checking the compatibility of the towing device on the vehicle, it is advisable to compare the masses shown on the vehicle registration certificate with the reference masses shown below (T and C):*

**T** = Massa complessiva del veicolo in kg      *Total vehicle mass in kg*  
**C** = Massa rimorchiabile del veicolo in kg      *Towable mass of the vehicle in kg*

Massa complessiva del veicolo, desunta dalla carta di circolazione (**F2**) in kg .....

*Total mass of the vehicle, taken from the registration certificate (F2)*

deve essere inferiore od uguale a quella di riferimento **T** (= ..... kg)  
*must be less than or equal to the reference T*

Massa rimorchiabile del veicolo, desunta dalla carta di circolazione (**O1**) in kg .....

*Towable mass of the vehicle, taken from the registration certificate (O1)*

deve essere inferiore od uguale a quella di riferimento **C** (= ..... kg)  
*must be less than or equal to the reference C*

Se tali condizioni sono verificate il dispositivo **è installabile.** *If these conditions are met, the device can be installed.*

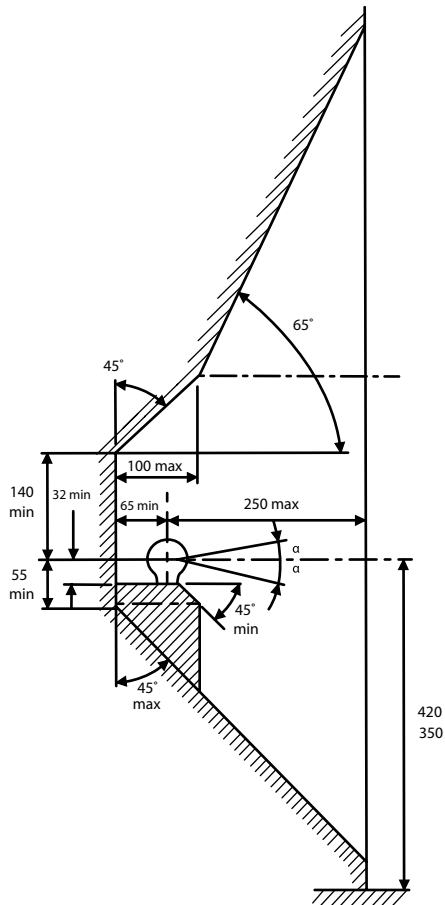
Se tali condizioni non si verificano, si deve procedere al seguente calcolo:

*If these conditions are not met, the following calculation must be made:*

$$D = \frac{T \times C}{T + C} \times 0,00981 = \dots\dots\dots \text{ kN}$$

Se **D** risulta inferiore a **10,75 kN** (valore riportato sulla targhetta e sul presente documento) il dispositivo **può essere installato.**  
*If D is less than 10,75 kN (value shown on the plate and on this document) the device can be installed.*

NOTA ESPLICATIVA  
EXPLANATORY NOTE

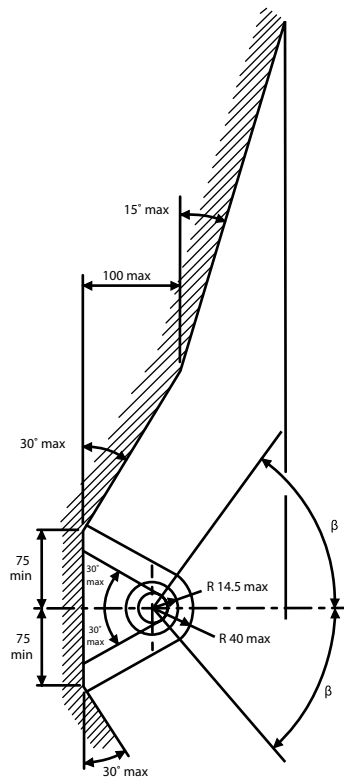


De tussenruimte conform bijlage VII, afbeelding 25 (a, b) van het reglement nr. 55-01 UN/ECE moet in acht genomen worden. Deze voorschriften zijn niet van toepassing op terreinvoertuigen klasse G.

La zone de dégagement doit être garantie conformément à l'annexe VII, illustration 25 (a, b) de la règle n° 55-01 UN/ECE. Ces dispositions ne s'appliquent pas aux véhicules tout-terrain classe G.

The clearance specified in appendix VII, diagram 25 (a, b) of regulation nr. 55-01 UN/ECE must be guaranteed. These requirements shall not apply to all-terrain vehicles class G.

Der Freiraum nach Anhang VII, Abbildung 25 (a, b) der Regulierung nr. 55-01 UN/ECE ist zu gewährleisten. Diese Vorschriften gelten nicht für Geländefahrzeugen Klasse G.



Bij toelaatbaar totaal gewicht van het voertuig

Pour poids total en charge autorisé du véhicule

At laden weight of the vehicle

Bei zulässigem Gesamtgewicht des Fahrzeuges

Peso total admisible del vehículo

Ved tilladt samlet vægt for køretøjet