

# 5490 - 30412760001 / 01-115 - 30412860001

**ATTENTION : (pour connaître les caractéristiques d'utilisation consulter la carte grise).**

Installé suivant nos recommandations, cet attelage vous donnera entière satisfaction. Nous dégageons toute responsabilité en cas de transformation ou d'utilisation illicite de celui-ci

**FR**

**ACHTUNG: (Nutzungsmerkmale : siehe Fahrzeugschein)**

Diese Anhängervorrichtung wird Sie voll zufrieden stellen, wenn Sie unsere Montageanleitung befolgen. Im Falle der unerlaubten Veränderung oder des unerlaubten Gebrauchs lehnen wir jede Haftung ab.

**DE**

**PLEASE NOTE : (to familiarise yourself with the operating characteristics refer to the log).**

If this tow bar is fitted in accordance with our recommendations it will give a completely satisfaction. We cannot accept any responsibility in the event of changes to or improper use of this item.

**EN**

**BEMÆRK : (for yderligere oplysninger om anvendelsesforhold henvises der til registreringsattesten)**

Hvis dette anhængertræk monteres i henhold til vores anvisninger, vil det være til din fulde tilfredshed. Vi fralægger os ethvert ansvar ved ulovlig ændring eller brug af anhængertrækket.

**DA**

**ΠΡΟΣΟΧΗ : (για να πληροφορηθείτε τα χαρακτηριστικά χρήσης συμβουλευτείτε την γκριζα κάρτα)**

Εγκατεστημένο σύμφωνα με τις συστάσεις μας, αυτό το σύστημα ρυμούλκησης θα σας ικανοποιήσει πλήρως. Απεκδύομεθα πάσης ευθύνης σε περίπτωση μετατροπής ή παράνομης χρήσης αυτού.

**EL**

**ATENCIÓN: (para conocer las características de utilización, consultar el permiso de circulación)**

Instalado siguiendo nuestras recomendaciones, este enganche le dará total satisfacción. No asumiremos ninguna responsabilidad en caso de que haya sido transformado o utilizado ilícitamente.

**ES**

**UWAGA (charakterystyki użytkowania należy sprawdzić w dowodzie rejestracyjnym)**

Dyszel holowniczy będzie funkcjonował we właściwy sposób po zainstalowaniu go zgodnie z zaleceniami. Nie ponosimy żadnej odpowiedzialności w przypadku wprowadzenia zmian lub niedozwolonego użycia

**PL**

**HUOMIO: (käyttöominaisuuksiin tutustumiseksi on katsottava rekisteriotetta)**

Suosituksen mukaan asennettuna tämä vetokoukku täyttää odotuksesi. Emme ota vastuuta, jos laitetta muutetaan tai käytetään ohjeiden vastaisesti.

**FI**

**ATTENZIONE : (per conoscere le caratteristiche d'uso consultare il libretto di circolazione)**

Installato seguendo le nostre raccomandazioni, questo gancio da traino vi lascerà completamente soddisfatti. Respingiamo ogni responsabilità in caso di trasformazione o utilizzo illecito dello stesso.

**IT**

**LET OP : (voor gebruikskennmerken het kentekenbewijs raadplegen)**

Indien u de koppeling volgens onze aanbevelingen heeft geïnstalleerd, zal het u tot volle tevredenheid stemmen. Wij stellen ons niet aansprakelijk in geval van wijziging of onrechtmatig gebruik.

**NL**

**ADVARSEL: (for kunnskap om bruksegenskapene, se vognkortet)**

Ved å installere innretningen i samsvar med våre anbefalinger vil du få maksimalt utbytte av dette tilhengerfestet. Vi fraskriver oss alt ansvar hvis tilhengerfestet endres eller brukes på ulovlig måte.

**NO**

**POZOR: (uživatelské charakteristiky naleznete v technickém průkazu)**

Tažné zařízení instalované dle našich doporučení vás plně uspokojí. V případě přestavby nebo neoprávněného užívání se zbavujeme veškeré odpovědnosti

**CZ**

**VARNING: (Läs igenom det grå bladet för att ta reda på rådande användningsvillkor)**

Om du monterar produkten enligt våra anvisningar kommer du uppnå bästa möjliga resultat. Vi avsäger oss allt ansvar i de fall kunden inte följer våra anvisningar fullt ut.

**SV**

**FIGYELEM : (a használati jellegzetességeket a forgalmi engedélyből ismerheti meg)**

A vonóhorog előírásainknak megfelelő felszerelés esetén a terméket teljes elégedettséggel használhatja. A termék átalakítása vagy tiltott használata esetén semmilyen felelősséget nem vállalunk.

**HU**

**ВНИМАНИЕ : (чтобы ознакомиться с рабочими характеристиками, изучите технический паспорт автомашины)**

Установленное при соблюдении рекомендаций, данное тягово-сцепное устройство в полной мере удовлетворит ваши потребности. Производитель не несет никакой ответственности в случае деформации или

**RU**

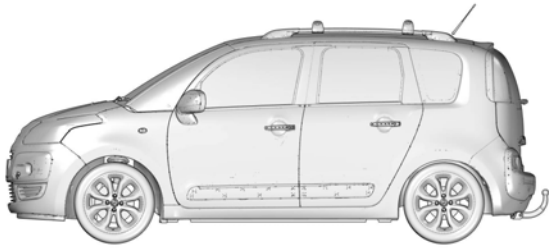


SIARR

5490

WESTFALIA

30412760001



**C3 PICASSO**  
**- SI068 -**

1 869 kg



1 200 kg

1 h 00



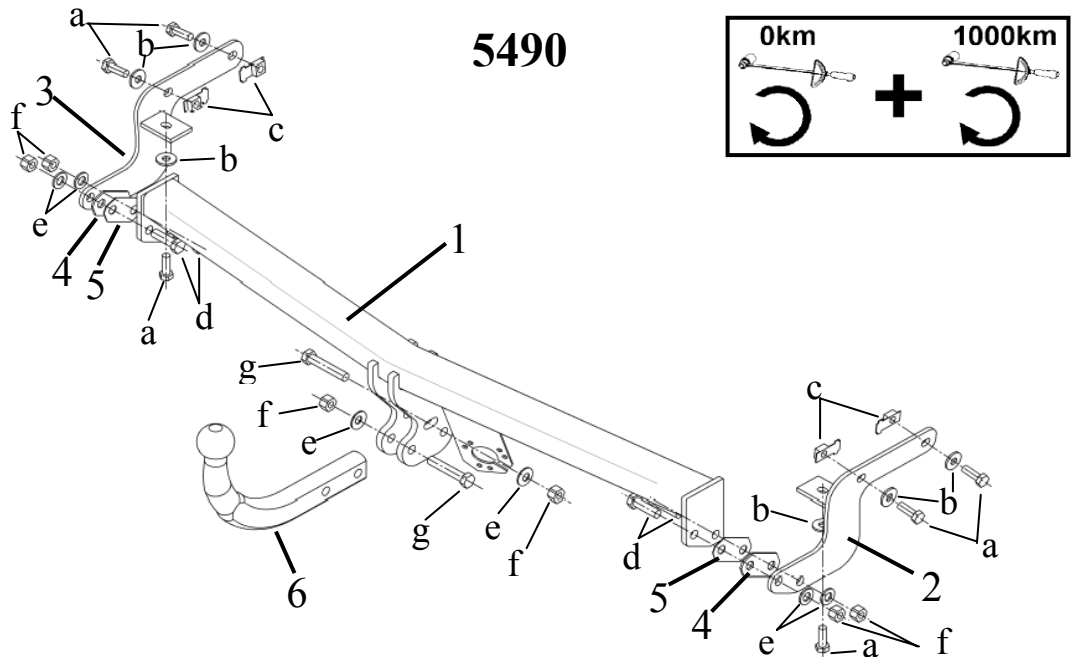
38 kg



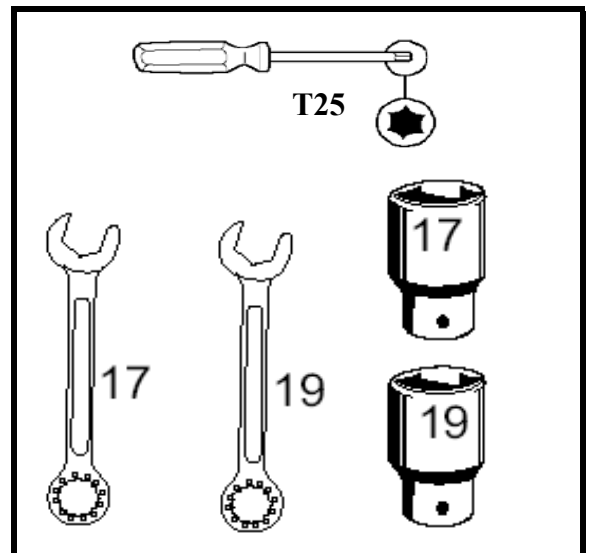
5490 : 15,2 kg

**D** 7,2 kN

e24\*94/20\*00\*0099



		x 6	HM10x30 - 40 Nm
		x 6	CS10
		x 4	40 Nm
		x 4	HM12x40 - 65 Nm
		x 6	CS12
		x 6	HM12 - 65 / 95 Nm
		x 2	HM12x65 - 95 Nm



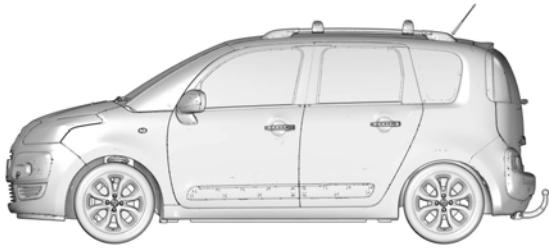


SIARR

01 - 115

WESTFALIA

30412860001



C3 PICASSO  
- SI072 -

1 869 kg



1 200 kg

1 h 00



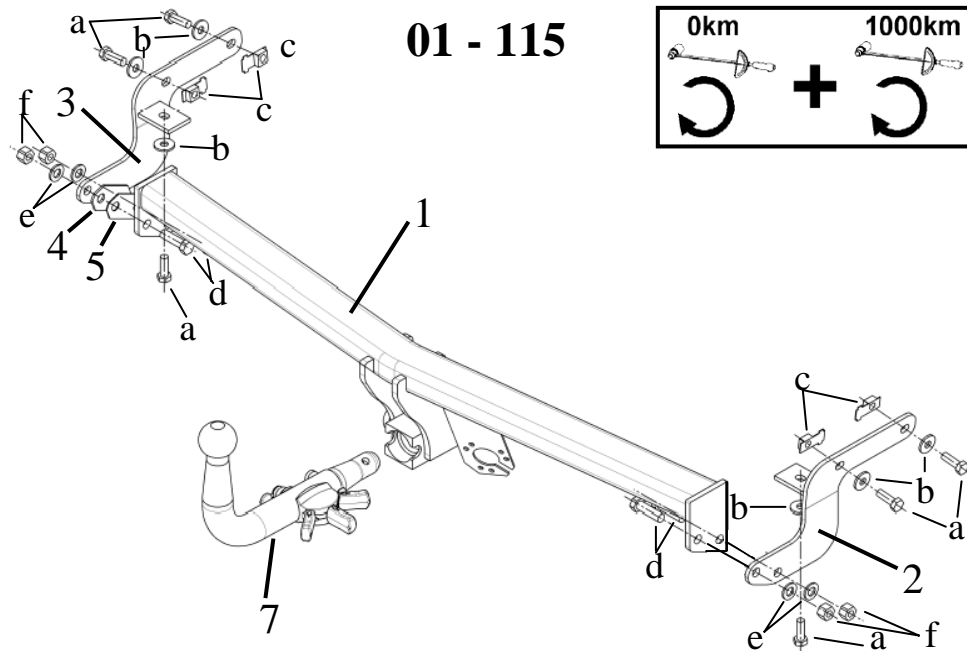
38 kg



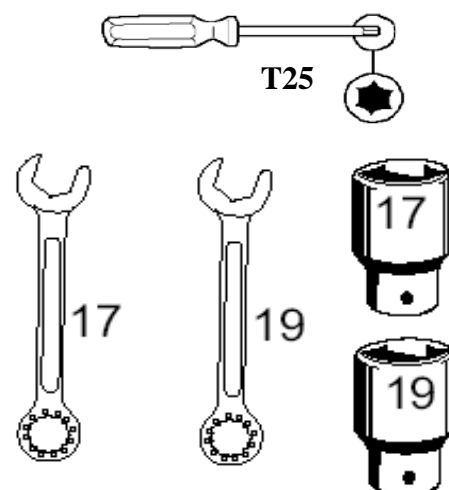
01115 : 16,7 kg

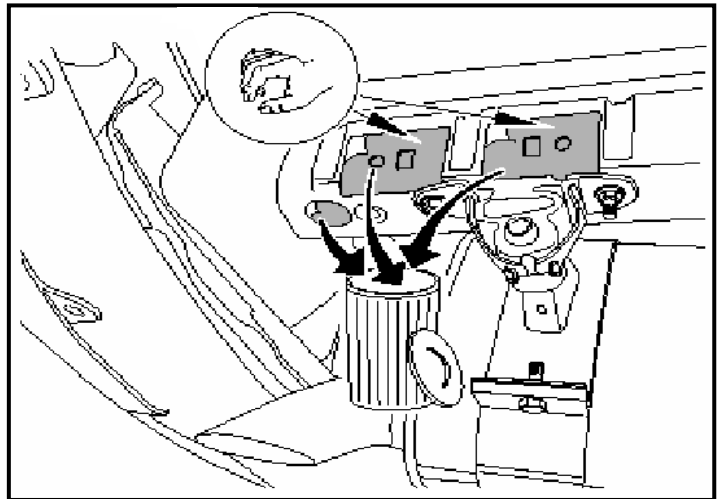
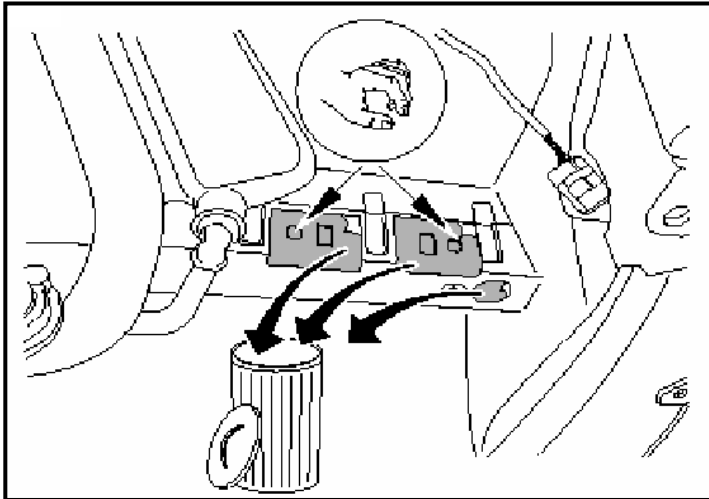
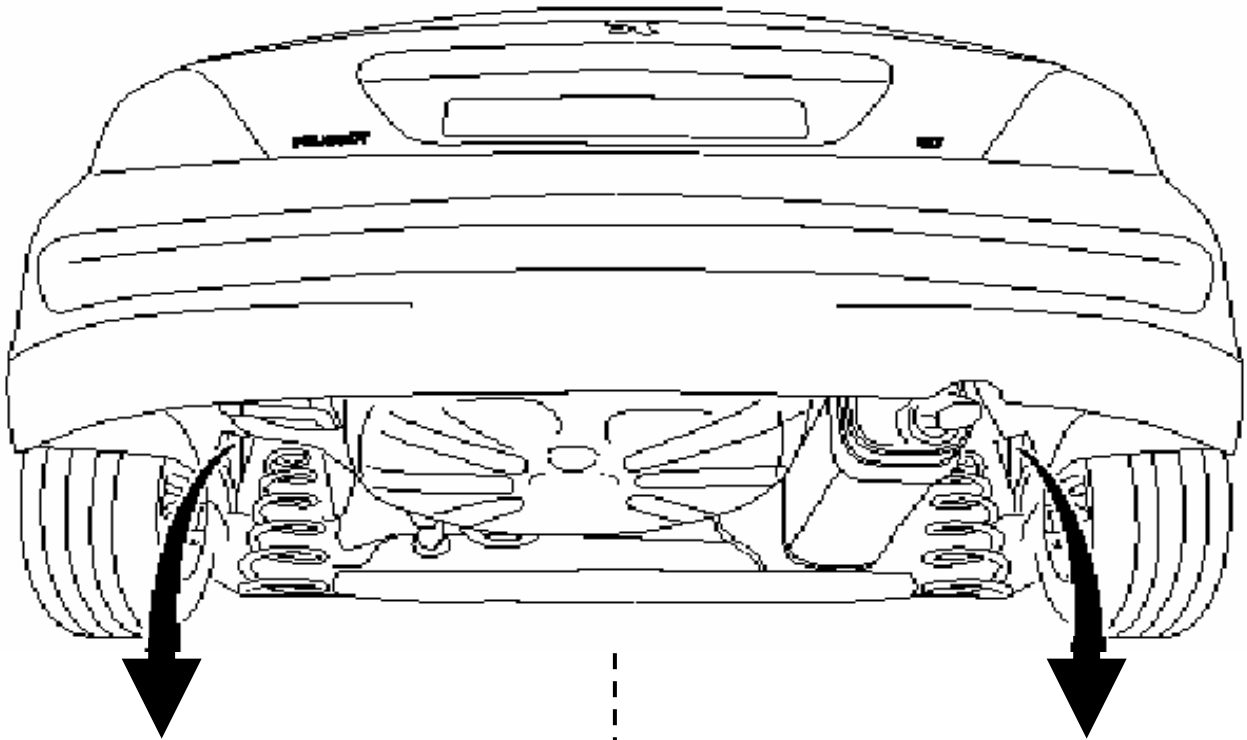
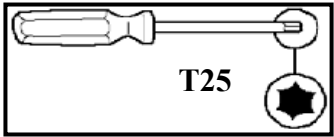
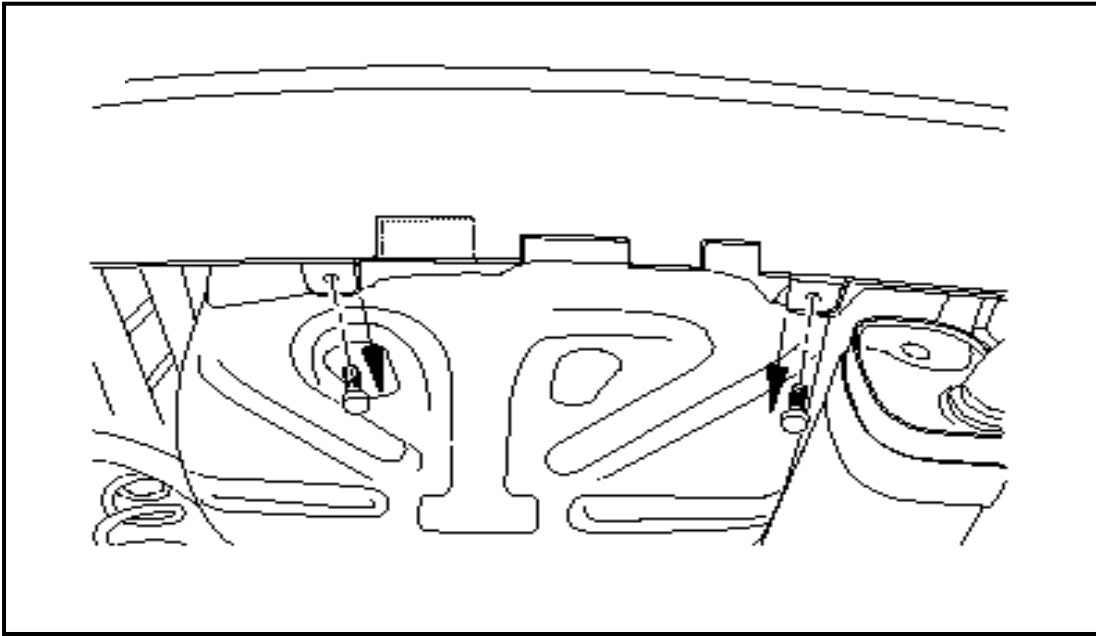
**D** 7,2 kN

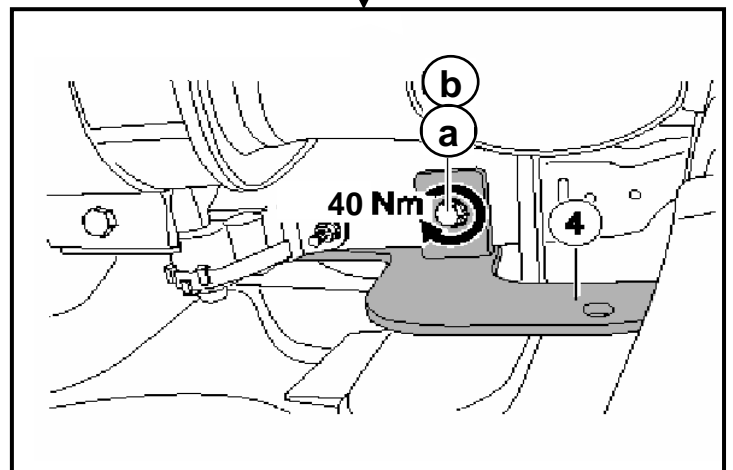
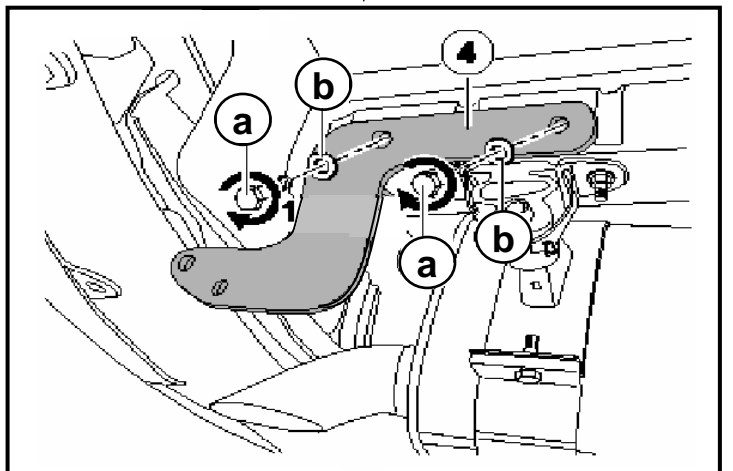
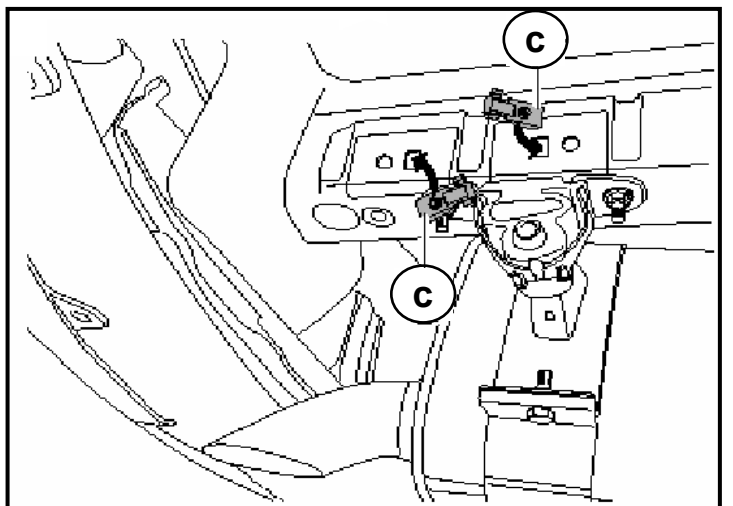
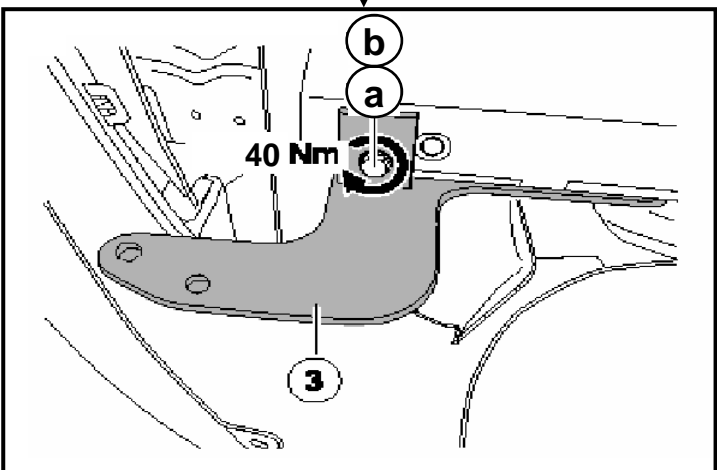
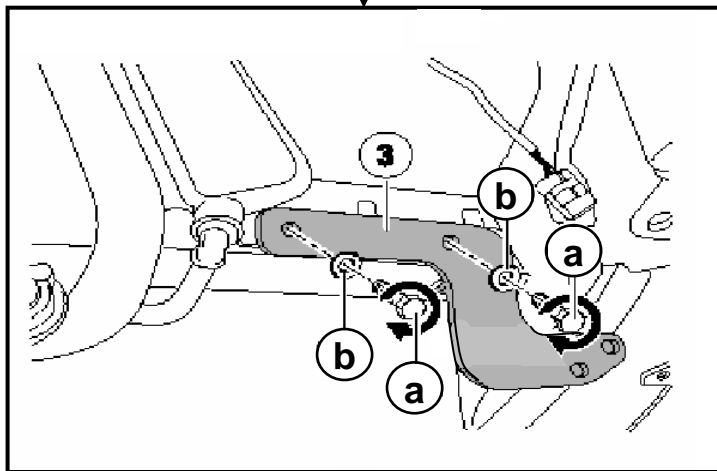
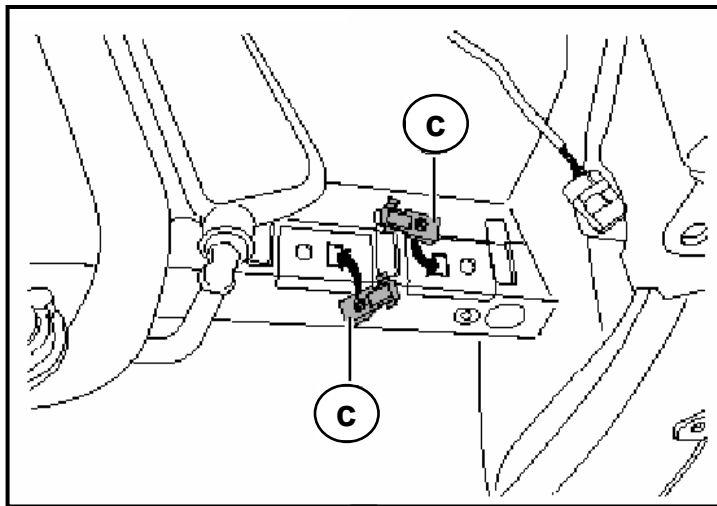
e24\*94/20\*00\*0101

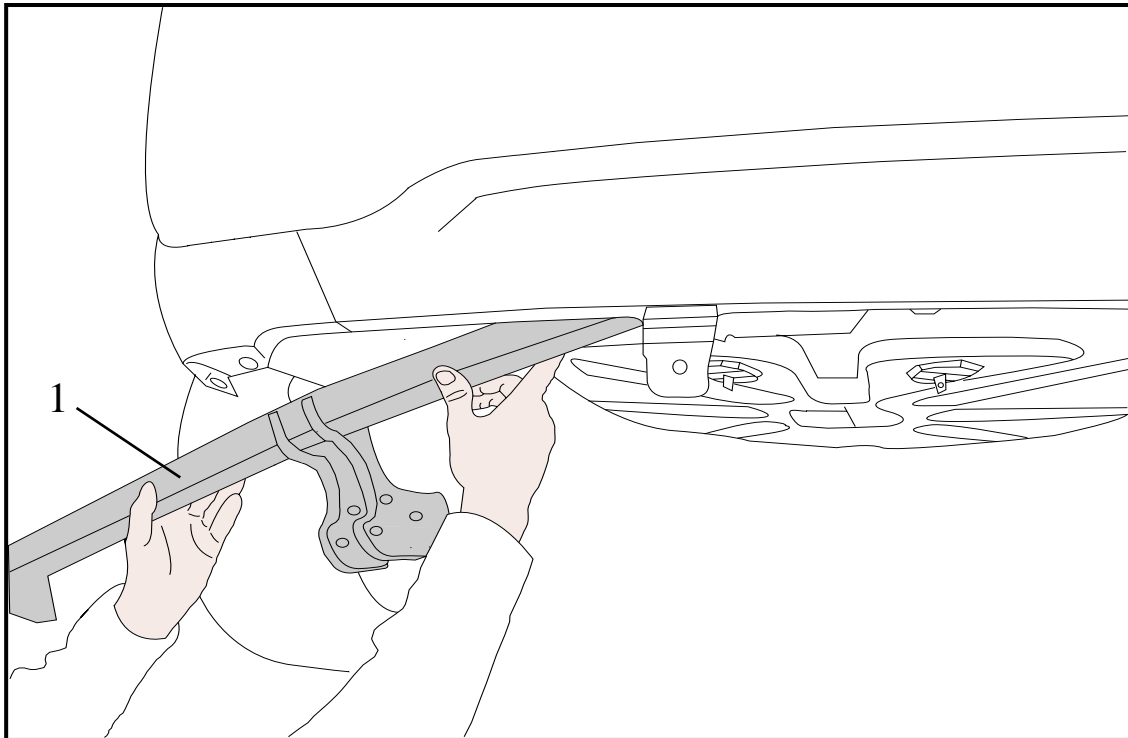
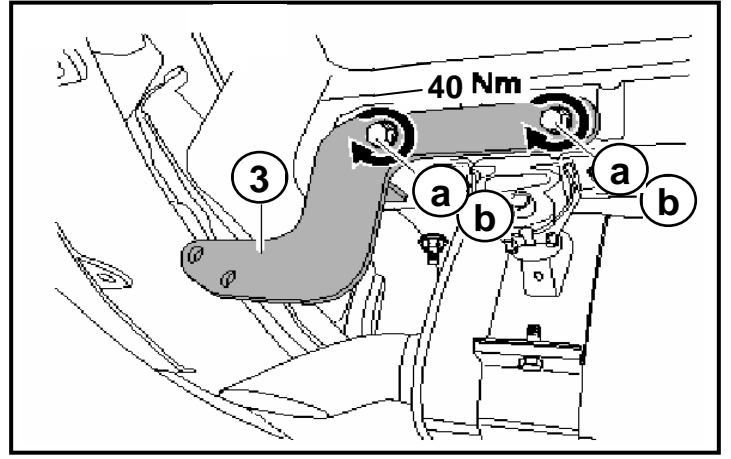
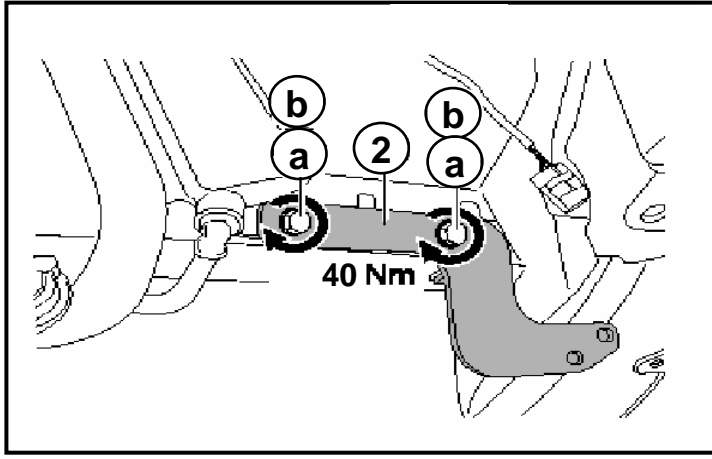


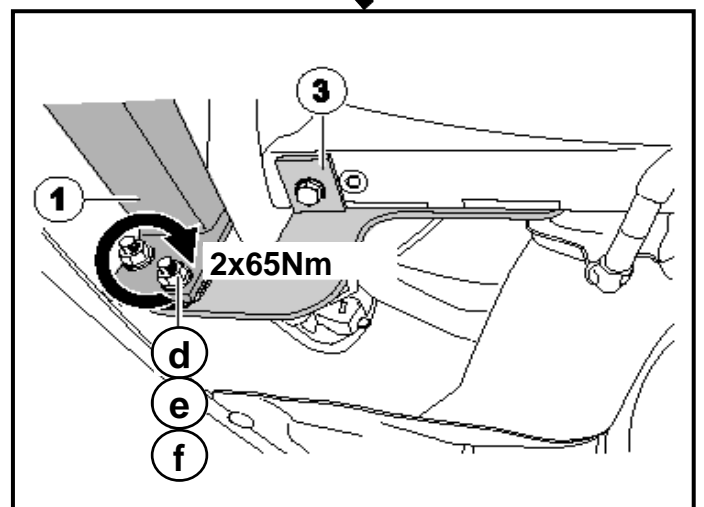
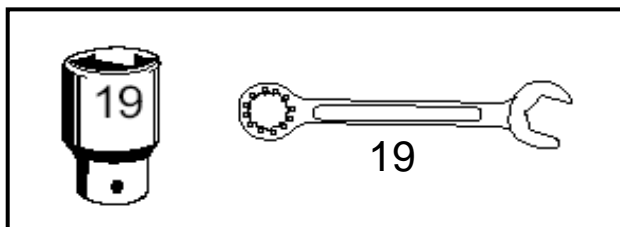
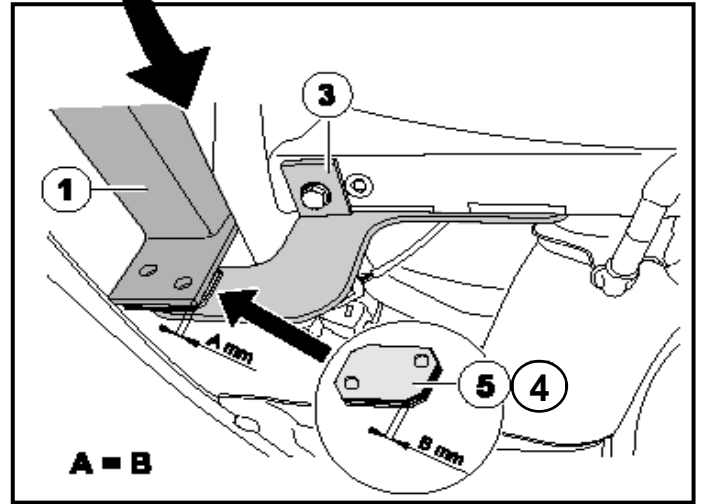
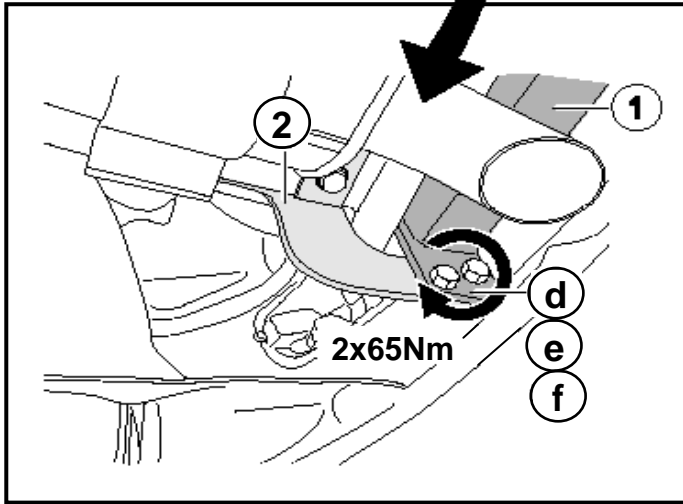
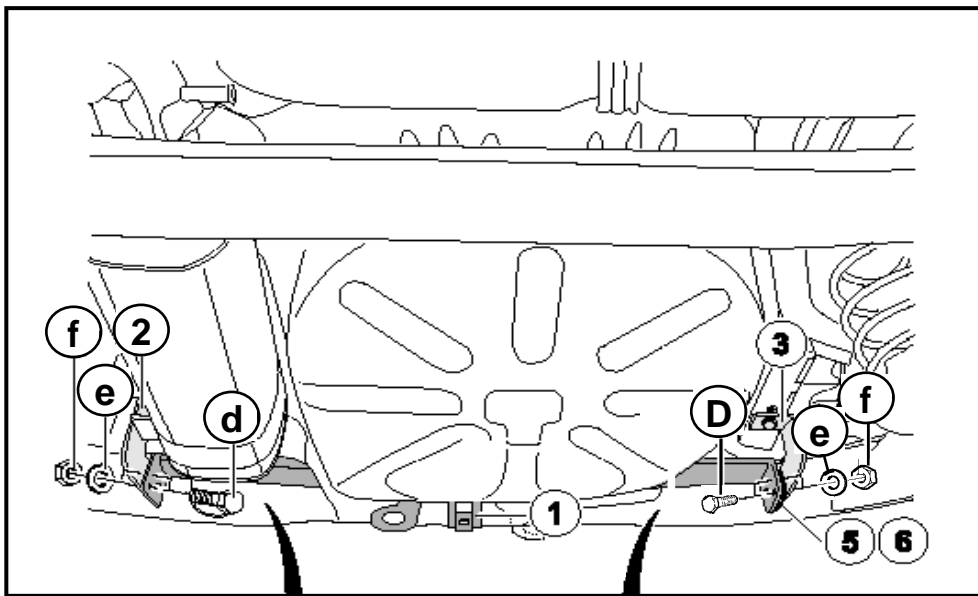
- |  |  |     |                   |
|--|--|-----|-------------------|
|  |  | x 6 | HM10x30 - 40 Nm   |
|  |  | x 6 | CS10              |
|  |  | x 4 | 40 Nm             |
|  |  | x 4 | HM12x40 - 65 Nm   |
|  |  | x 4 | CS12              |
|  |  | x 4 | HM12 - 65 / 95 Nm |

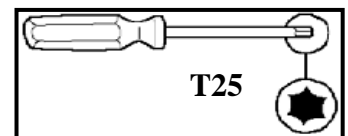
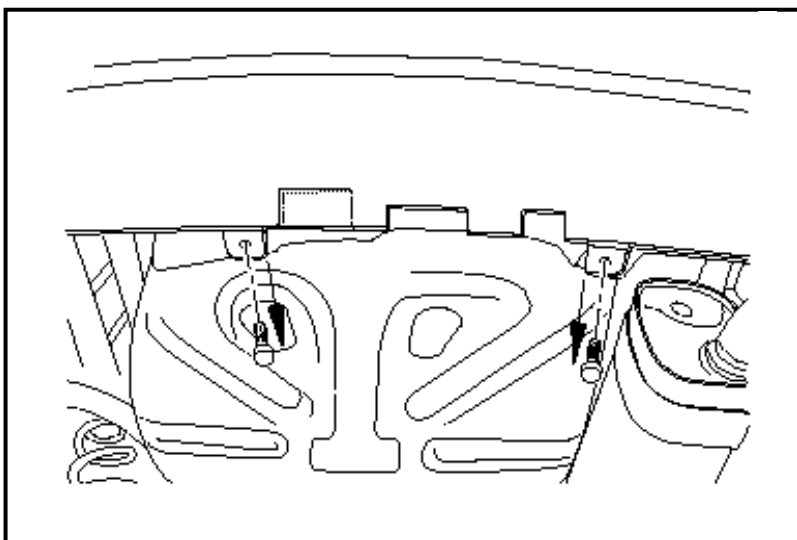
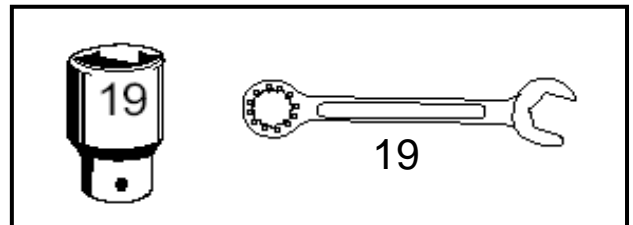
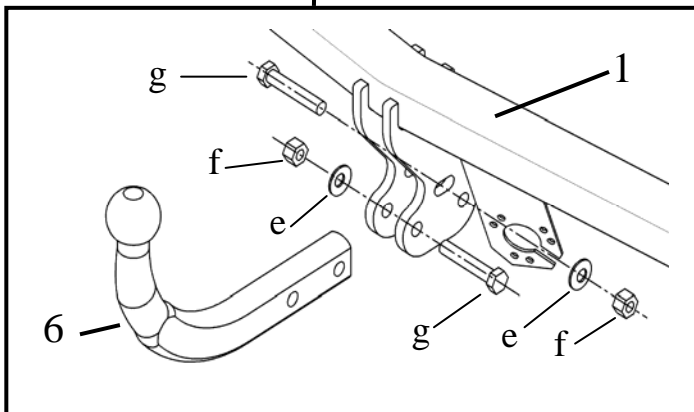
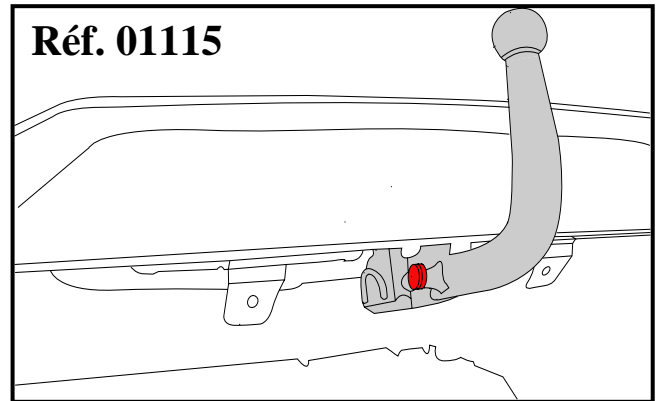
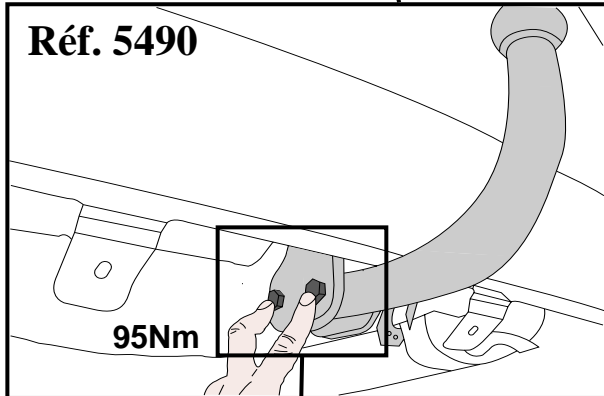
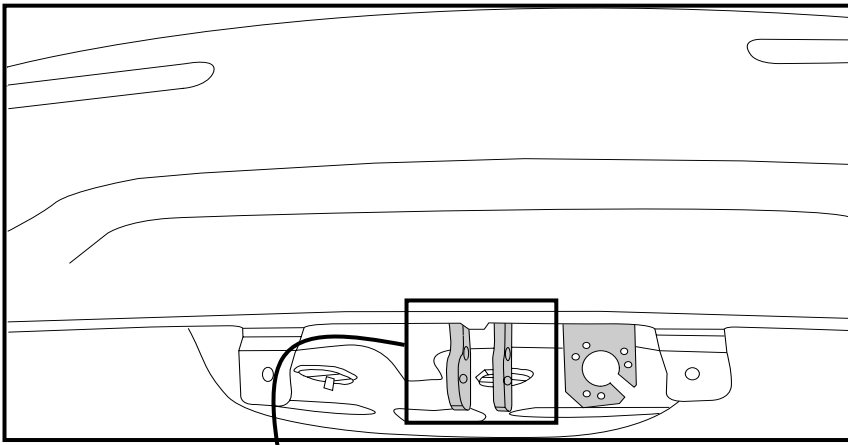
















Dispositivo di traino tipo : **5490**  
Per autoveicolo : **Citroën C3 Picasso**  
Tipo funzionale : **SH????/?**

Classe e tipo di attacco : **A50-X**  
Omologazione : **e24\*94/20\*00\*0099**  
Valore D : **7,20 kN**  
Carico verticale max. S : **38 kg**  
Larghezza rimorchiabile per Caravan e T.A.T.S. : 2,55m vedere CARTA di CIRCOLAZIONE VEICOLO (motrice) + 70cm = ...arrotondare ai 5cm superiore (vedi D.M.28/05/85)  
Massa rimorchiabile : vedi carta di circolazione dell'autoveicolo

**Per verificare l'idoneità del dispositivo di traino omologato a norma CEE 94/20, all'installazione sulla vettura su cui si intende procedere al montaggio, compilare la seguente formula (se necessario declassare la massa rimorchiabile) :**

$$D = \frac{T \times C}{T + C} \times 0,00981 < 7,20 \text{ kN}$$

dove : T = Massa Complessiva Max. della motrice (in kg)  
C = Massa Rimorchiabile Max. della motrice (in kg)

## DA COMPILARE PER IL COLLAUDO

**DICHIARAZIONE DI CORRETTO MONTAGGIO** : la sottoscritta Ditta dichiara di aver montato in maniera corretta ed in conformità alle prescrizioni sia del costruttore del veicolo che del costruttore del dispositivo stesso il seguente dispositivo di attacco meccanico :

tipo : .....  
Il dispositivo di attacco sopra indicato è stato installato su autoveicolo  
modello : .....  
targa : .....  
Data : .....

**TIMBRO e FIRMA**

**Si dichiara inoltre di aver informato l'utente del veicolo sull'USO e MANUTENZIONE del dispositivo stesso.**



Dispositivo di traino tipo : **01-115**  
 Per autoveicolo : **Citroën C3 Picasso**  
 Tipo funzionale : **SH????/?**

Classe e tipo di attacco : **A50-X**  
 Omologazione : **e24\*94/20\*00\*0101**  
 Valore D : **7,20 kN**  
 Carico verticale max. S : **38 kg**  
 Larghezza rimorchiabile per Caravan e T.A.T.S. : 2,55m vedere CARTA di CIRCOLAZIONE VEICOLO (motrice) + 70cm = ...arrotondare ai 5cm superiore (vedi D.M.28/05/85)  
 Massa rimorchiabile : vedi carta di circolazione dell'autoveicolo

**Per verificare l'idoneità del dispositivo di traino omologato a norma CEE 94/20, all'installazione sulla vettura su cui si intende procedere al montaggio, compilare la seguente formula (se necessario declassare la massa rimorchiabile) :**

$$D = \frac{T \times C}{T + C} \times 0,00981 < 7,20 \text{ kN}$$

dove : T = Massa Complessiva Max. della motrice (in kg)  
 C = Massa Rimorchiabile Max. della motrice (in kg)

## DA COMPILARE PER IL COLLAUDO

**DICHIARAZIONE DI CORRETTO MONTAGGIO :** la sottoscritta Ditta dichiara di aver montato in maniera corretta ed in conformit alle prescrizioni sia del costruttore del veicolo che del costruttore del dispositivo stesso il seguente dispositivo di attacco meccanico :

tipo : .....  
 Il dispositivo di attacco sopra indicato è stato installato su autoveicolo  
 modello : .....  
 targa : .....  
 Data : .....

**TIMBRO e FIRMA**

**Si dichiara inoltre di aver informato l'utente del veicolo sull'USO e MANUTENZIONE del dispositivo stesso.**



**EEC TYPE APPROVAL CERTIFICATE**

**With regard to Coupling Devices for Motor Vehicles**

Concerning the type-approval of a type of a component with regard to Directive 94/20/EC.

EC Type Approval No:

e24\*94/20\*0099\*00

EC Type Approval No: e24\*94/20\*0099\*00  
Reason for extension: N/A.

**SECTION II**

**SECTION I**

- 0.1 Make (trade name of manufacturer): *SIARR or Westfalia Automotive GmbH or Monoflex AB*
- 0.2 Type and general commercial description: *SI068. Non-standard coupling balls 50*
- 0.3 Means of identification of type, if marked on the component: *Make, Class, Type.*
  - 0.3.1 Location of that marking: *Manufacturer's plate on socket plate.*
- 0.5 Name and address of manufacturer: *S.I.A.R.R. SAS, 76810 Luneray, France.*
- 0.7 In the case of components and separate technical units, location and method of affixing of the EEC approval mark: *Manufacturer's plate on socket plate. Riveted.*
- 0.8 Name(s) and address(es) of assembly plants: *S.I.A.R.R. SAS, 76810 Luneray, France.*  
  
*Westfalia Automotive GmbH, 33378 Rheda-Wiedenbrück, Germany.*  
  
*Monoflex Nordic AB, 73432 Hallstahammar, Sweden.*

- 1. Additional information (where applicable): *See Appendix I.*
- 2. Technical service responsible for carrying out the tests: *TÜV SÜD AUTOMOTIVE GmbH, Daimlerstraße 11, D-85748 Garching, Germany.*
- 3. Date of test report: *25.04.2008*
- 4. Number of test report: *08-00085-CX-GBM.*
- 5. Remarks (if any): *See Appendix I.*
- 6. Place: *Dublin.*
- 7. Date: *30<sup>th</sup> April 2008*
- 8. Signature: 
- 9. The index to the information package lodged with the competent authority that has granted type-approval, which may be obtained on request is attached.
- 10. Documentation: *17 Pages.*



**Appendix 1**

to EC Type Approval Certificate No.: *e24\*94/20\*0099\*00*

Concerning the component type approval of mechanical coupling devices with regard to Directive 94/20/EC.



National Standards Authority of Ireland

**EEC TYPE APPROVAL CERTIFICATE**

**With regard to Coupling Devices for Motor Vehicles**

Concerning the type-approval of a type of a component with regard to Directive 94/20/EC.

- 1. Additional information
- 1.1. Class of the type of coupling: *A50-X; SI068.*
- 1.2. Categories or types of vehicles for which the device is designed or restricted: *M, N. See technical report 08-00085-CX-GBM and accompanying documentation.*
- 1.3. Maximum D-value: *7.2 kN.*
- 1.4. Maximum vertical load S at the coupling point: *70 kg.*
- 1.5. Maximum load U at the fifth wheel coupling point: *N/A.*
- 1.6. Maximum V-value: *N/A.*
- 1.7. Instructions for attachment of the coupling type to the vehicle and photographs or drawings of the fixing points at the vehicle given by the manufacturer; additional information if the use of the coupling type is restricted to special types of vehicles: *See manufacturer's documentation.*
- 1.8. Information on the fitting of special towing brackets or mounting plates: *See manufacturer's documentation.*
- 5. Remarks: *N/A.*

EC Type Approval No: *e24\*94/20\*0101\*00*  
 Reason for extension: *N/A.*

**SECTION I**

- 0.1 Make (trade name of manufacturer): *SIARR or Westfalia Automotive GmbH or Monoflex Nordic AB*
- 0.2 Type and general commercial description: *SI072 Non-standard coupling balls 50*
- 0.3 Means of identification of type, if marked on the component: *Make, Class, Type.*
  - 0.3.1 Location of that marking: *Manufacturer's plate on socket plate.*
- 0.5 Name and address of manufacturer: *S.I.A.R.R. S.AS, 76810 Luneray, France.*
- 0.7 In the case of components and separate technical units, location and method of affixing of the EEC approval mark: *Manufacturer's plate on socket plate. Riveted.*
- 0.8 Name(s) and address(es) of assembly plants: *S.I.A.R.R. SAS, 76810 Luneray, France.*  
  
*Westfalia Automotive GmbH, 33378 Rheda-Wiedenbrück, Germany.*  
  
*Monoflex Nordic AB, 73432 Hallstahammar, Sweden.*

EC Type Approval No:


e24\*94/20\*0101\*00

**Appendix 1**

to EC Type Approval Certificate No.: e24\*94/20\*0101\*00

Concerning the component type approval of mechanical coupling devices with regard to Directive 94/20/EC.

**SECTION II**

1. Additional information (where applicable): *See Appendix I.*
2. Technical service responsible for carrying out the tests: *TÜV SÜD AUTOMOTIVE GmbH,  
Daimlerstraße 11,  
D-85748 Garching,  
Germany.*
3. Date of test report: *07.05.2008*
4. Number of test report: *08-00199-CX-GBM.*
5. Remarks (if any): *See Appendix I.*
6. Place: *Dublin.*
7. Date: *12<sup>th</sup> May 2008*
8. Signature: 
9. The index to the information package lodged with the competent authority that has granted type-approval, which may be obtained on request is attached.
10. Documentation: *27 Pages.*



1. Additional information
  - 1.1. Class of the type of coupling: *A50-X; SI072*
  - 1.2. Categories or types of vehicles for which the device is designed or restricted: *M, N. See technical report 08-00199-CX-GBM and accompanying documentation.*
  - 1.3. Maximum D-value: *7.2 kN.*
  - 1.4. Maximum vertical load S at the coupling point: *38 kg.*
  - 1.5. Maximum load U at the fifth wheel coupling point: *N/A.*
  - 1.6. Maximum V-value: *N/A.*
  - 1.7. Instructions for attachment of the coupling type to the vehicle and photographs or drawings of the fixing points at the vehicle given by the manufacturer; additional information if the use of the coupling type is restricted to special types of vehicles: *See manufacturer's documentation.*
  - 1.8. Information on the fitting of special towing brackets or mounting plates: *See manufacturer's documentation.*
5. Remarks: *N/A.*