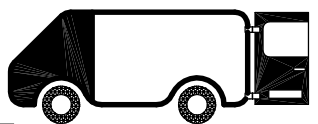
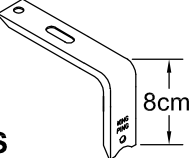

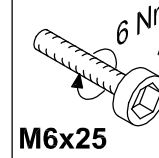
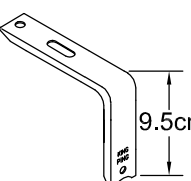


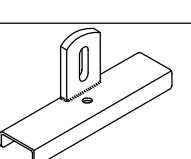


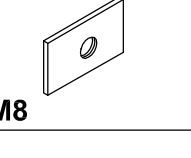



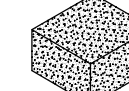
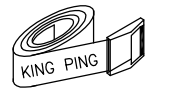


Citroën Jumpy 2007
Fiat Scudo 2007
Peugeot Expert 2007



250x143cm. L1 H1

 S 8cm.	4x	 14 Nm M8x20	6x	 6 Nm M6x25	6x
 P 9.5cm.	2x	 M8	6x	 M6	6x
	6x	 3xD M8	12x	 2xD M6	6x
	6x	 M8	12x	 M6	6x
 M8	6x		12x		
 KING PING	2x				

