
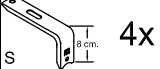

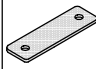

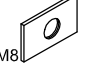
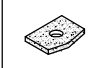


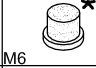




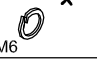

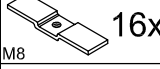



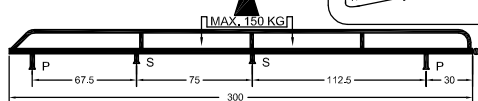


# Mercedes Vito

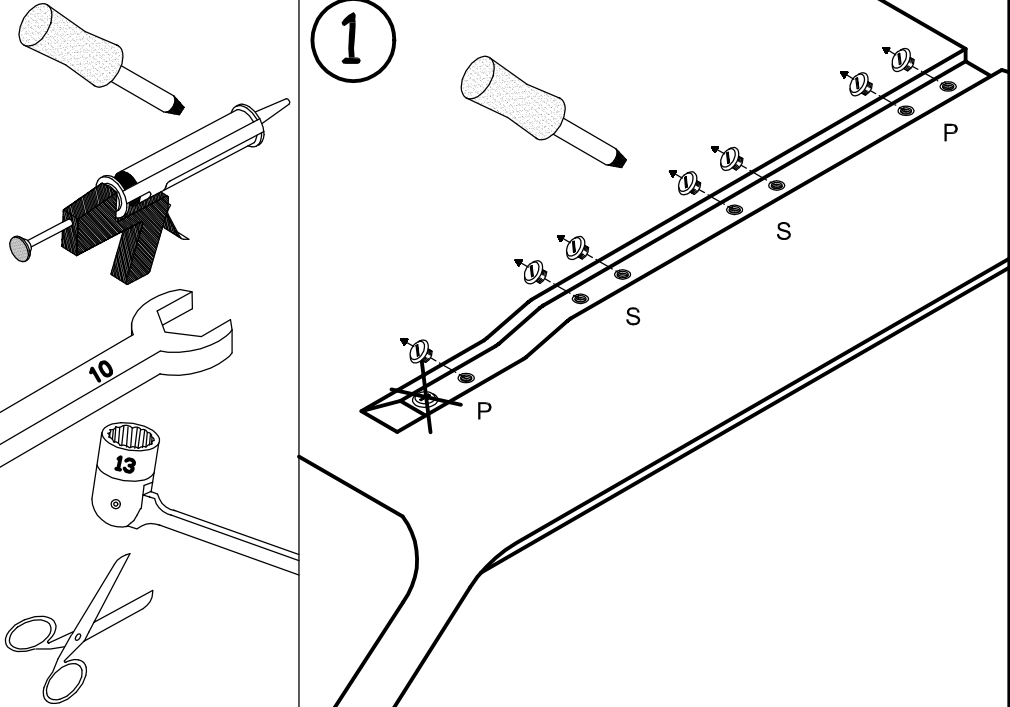
300x140 cm. L2 H1



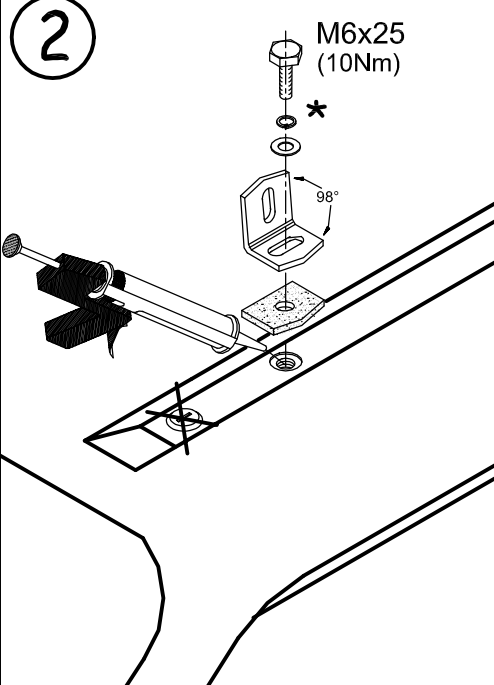
 4x	 16x	 6x
 4x	 8x	 2x
 6x	 24x	 14x
 2x	 14x	 8x
 24x	 14x	 8x
 16x	 14x	 1x
		 2x



**1**



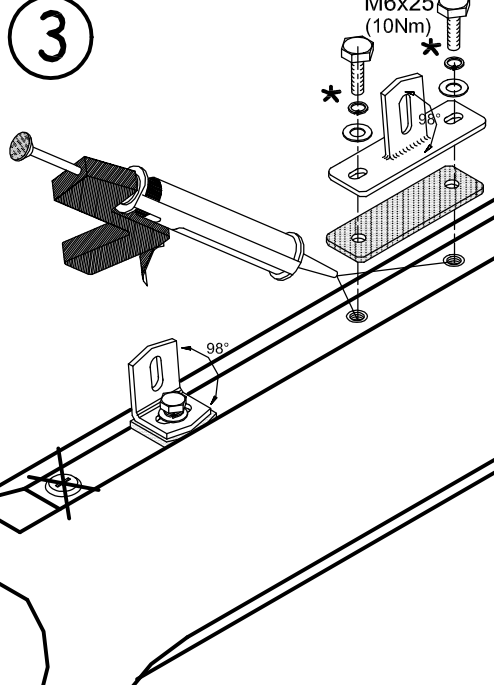
**2**



M6x25 (10Nm)

98°

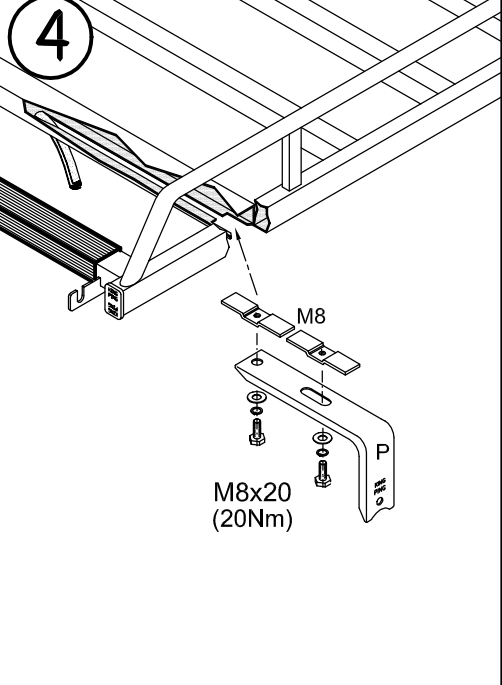
**3**



M6x25 (10Nm)

98°

**4**

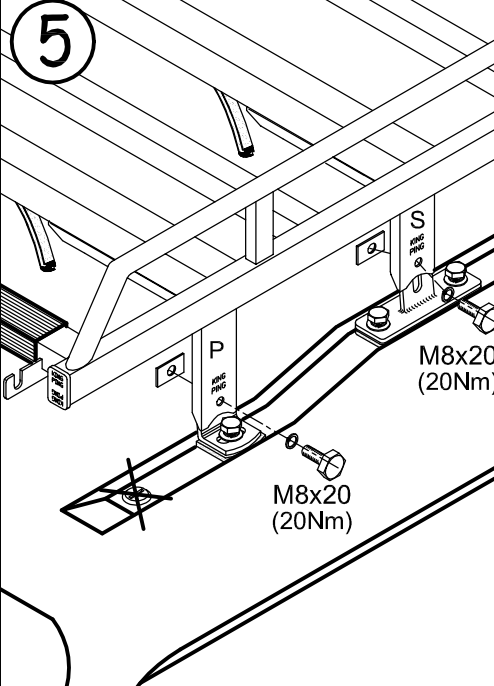


M8x20 (20Nm)

M8

P

**5**



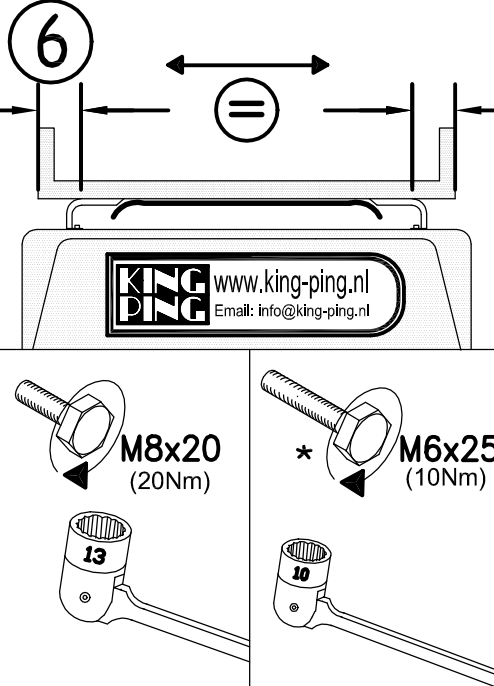
M8x20 (20Nm)

M8x20 (20Nm)

S

P

**6**



**KING PING** www.king-ping.nl  
Email: info@king-ping.nl

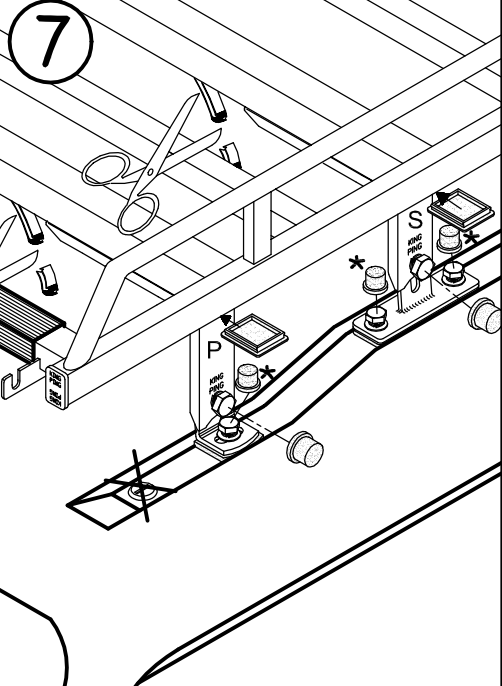
M8x20 (20Nm)

\* M6x25 (10Nm)

13

10

**7**



M6x25 (10Nm)

S

P