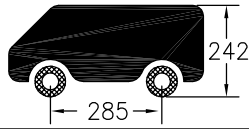


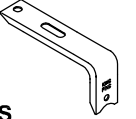
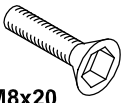
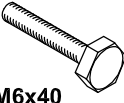
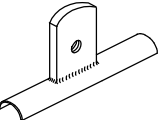


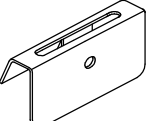


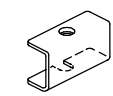

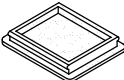
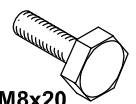
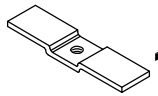

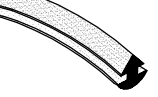
Citroën Jumper

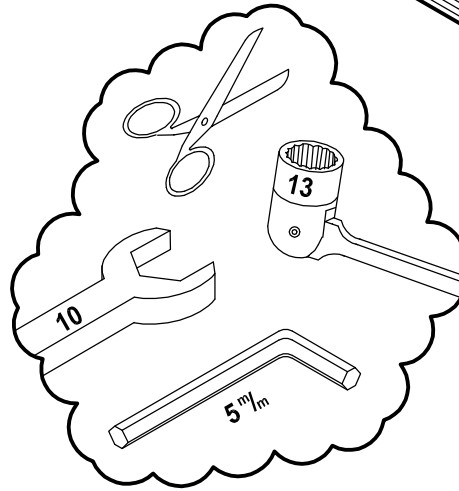
Fiat Ducato

Peugeot Boxer

250x160 cm. L1 H2



 6x	 6x	 6x
 6x	 12x	 6x
 6x	 12x	 6x
 6x	 6x	 6x
 12x	 12x	 2x
 1x		



KING PING
www.king-ping.com
info@king-ping.com

