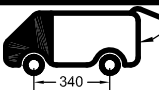

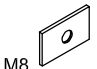
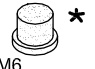

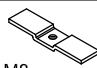



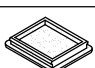

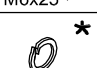
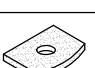

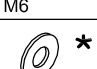


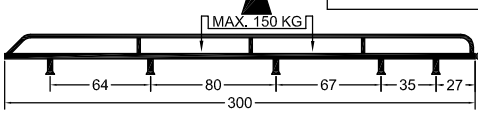
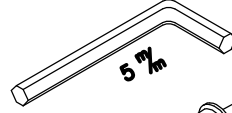


Volkswagen T5

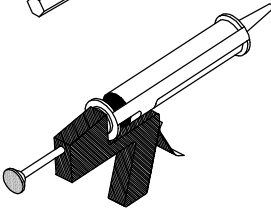
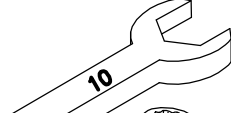
300x140 cm. L2 H1




 10x	 10x	 * 10x
 10x	 20x	 10x
 M8x20 30x	 * M6x25 10x	 10x
 M8 30x	 * M6 10x	 10x
 3xD M8 20x	 * 3xD M6 10x	 1x
	 2x	

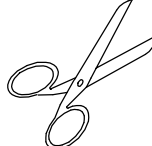
5 mm

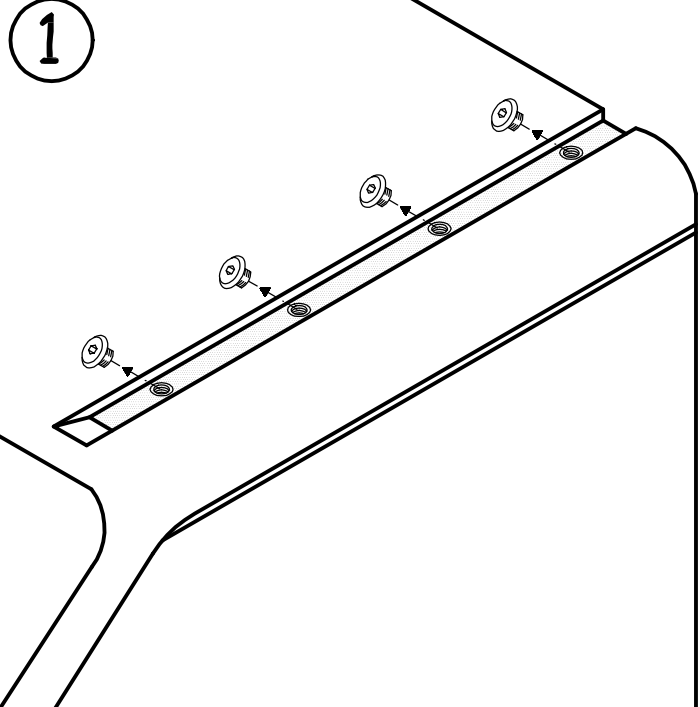
10



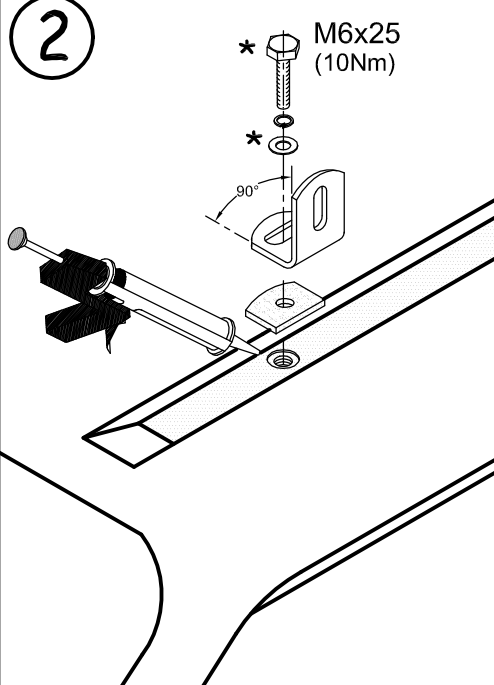
13



1



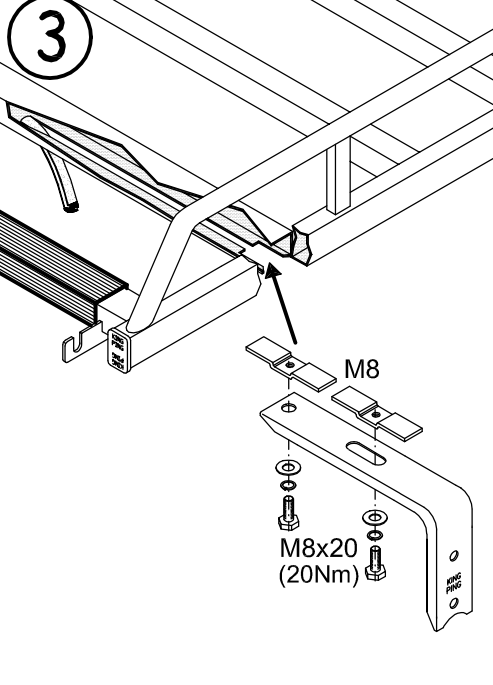
2



* M6x25 (10Nm)

90°

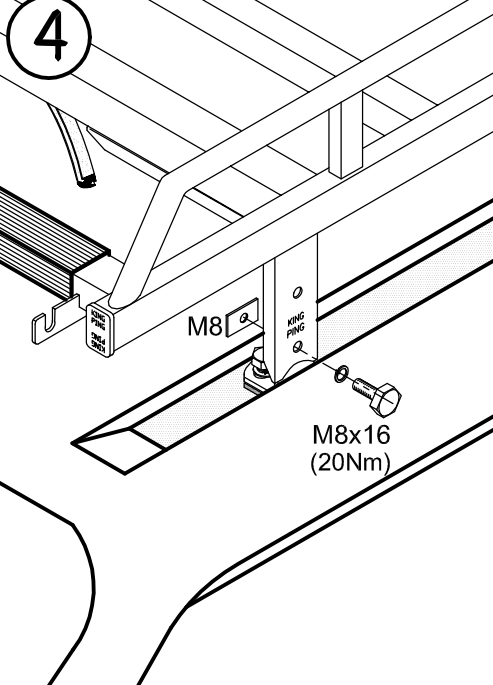
3



M8

M8x20 (20Nm)

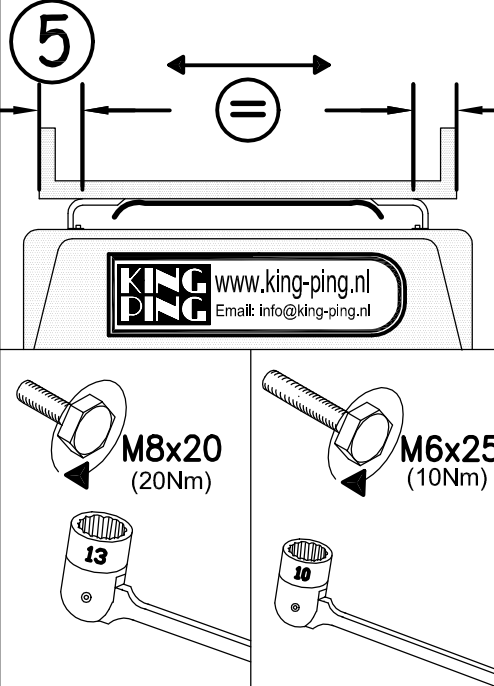
4



M8

M8x16 (20Nm)


5




www.king-ping.nl
Email: info@king-ping.nl

M8x20 (20Nm)

M6x25 (10Nm)

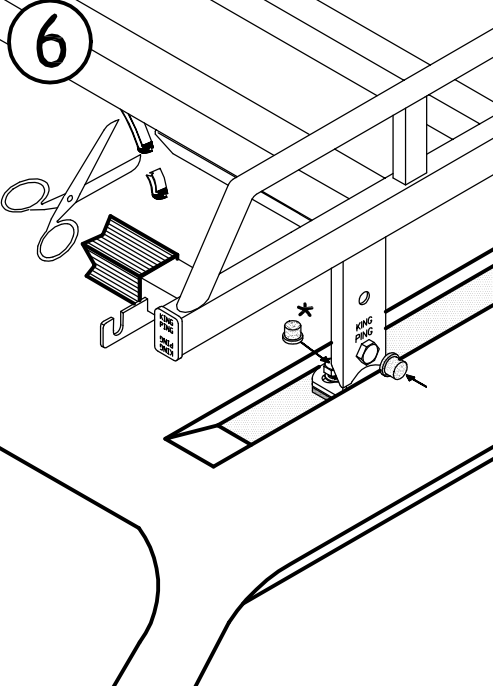


13



10

6



7

